

4

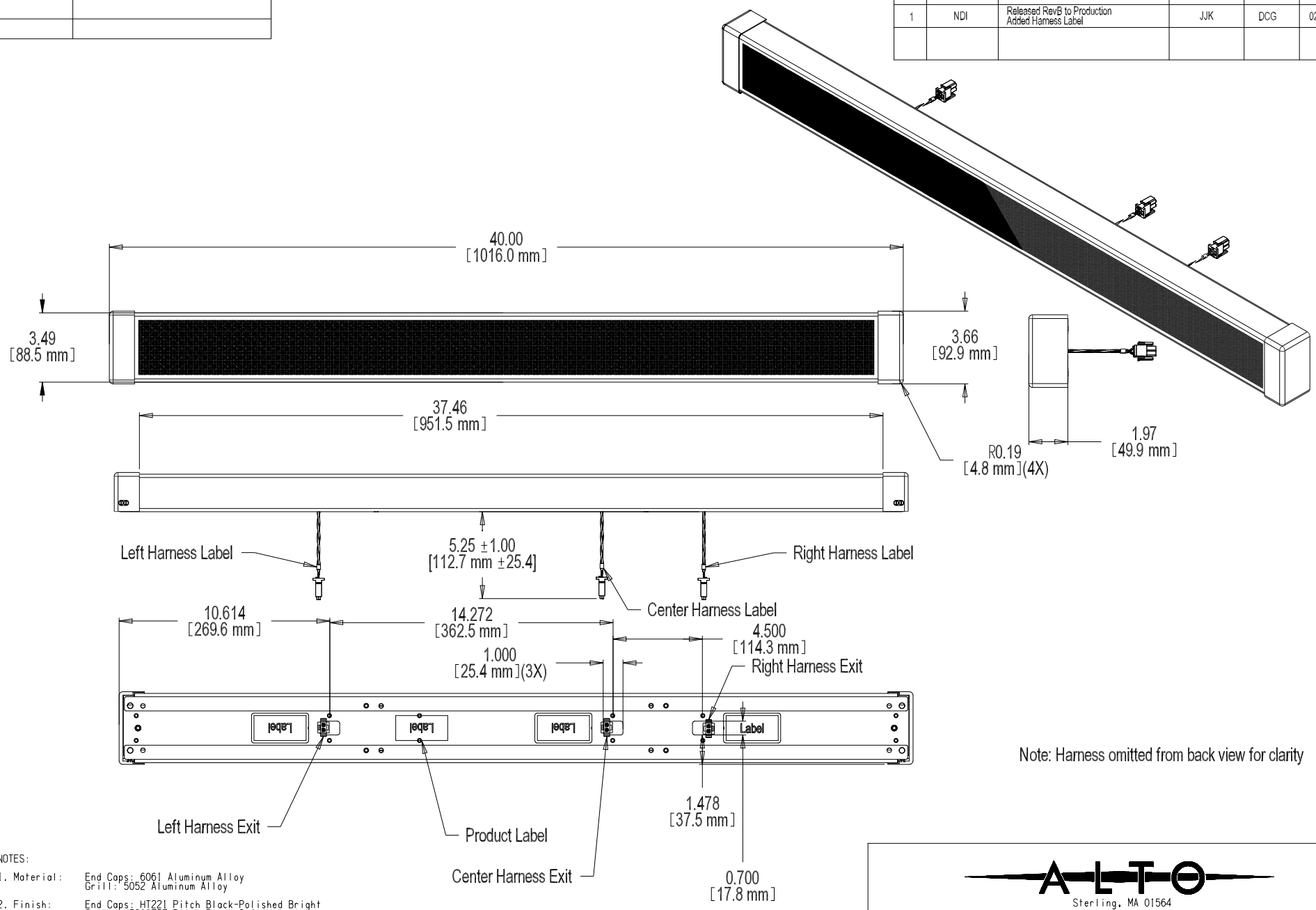
3

2

1

P/N	DESCRIPTION
202500-0400	As Shown


REVISIONS					
REV#	ECN#	DESCRIPTION	APPROVED	QUALITY	DATE
1	NDI	Released RevB to Production Added Harness Label	JJK	DCG	02/24/2020



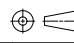
Note: Harness omitted from back view for clarity

- NOTES:
1. Material: End Caps: 6061 Aluminum Alloy
Grill: 5052 Aluminum Alloy
 2. Finish: End Caps: HT221 Pitch Black-Polished Bright
Grill: HT310757 Pitch Black-Soft Velvet
 3. Tolerances: IN x.xx = ± 0.020 x.xxx = ± 0.010
 4. Weight Without Speakers: < 3.0 lbs / 1.36 kg
 5. Weight with Speakers: < 5.4 lbs / 2.45 kg

NOTICE
All information contained in this document is considered proprietary and may not be copied, transferred, or disclosed without the authorization of Alto Technology Corporation.



Sterling, MA 01564

CAGE CODE 4MSE6	THIRD ANGLE PROJECTION 	DESCRIPTION 40 IN Sound Bar Kit	REV 1
SCALE NTS	UNITS IN	DATE 02/24/2020	DRAWING NUMBER 202500-0400DA
DDC TYPE PT	SHEET 1 of 2		

4

3

2

1

4

3

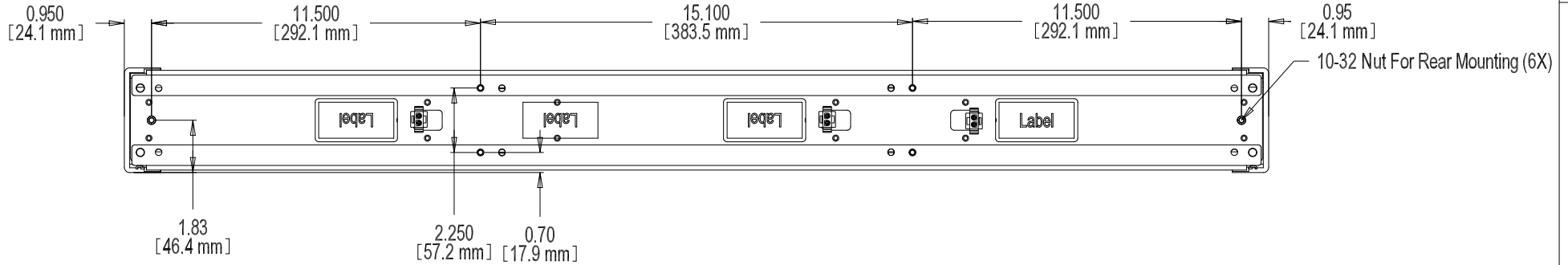
2

1

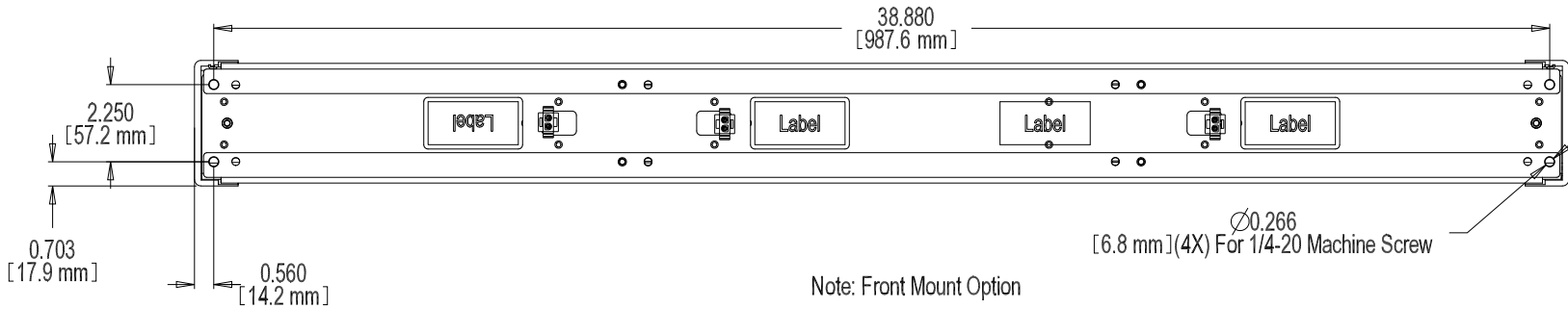
P/N	DESCRIPTION
202500-0400	As Shown

REVISIONS					
REV#	ECN#	DESCRIPTION	APPROVED	QUALITY	DATE
1	NDI	Released RevB to Production Added Harness Label	JJK	DCG	02/24/2020

Note: Harness omitted from back view for clarity



Note: Rear Mount Option



Note: Front Mount Option



Sterling, MA 01564

CAGE CODE 4MSE6	THIRD ANGLE PROJECTION 	DESCRIPTION 40 IN Sound Bar Kit	REV 1
SCALE NTS	UNITS IN	DATE 02/24/2020	DRAWING NUMBER 202500-0400DA
DOC TYPE PT	SHEET 2 of 2		

NOTICE
All information contained in this document is considered proprietary and may not be copied, transferred, or disclosed without the authorization of Alto Technologies Corporation.

4

3

2

1