

4

3

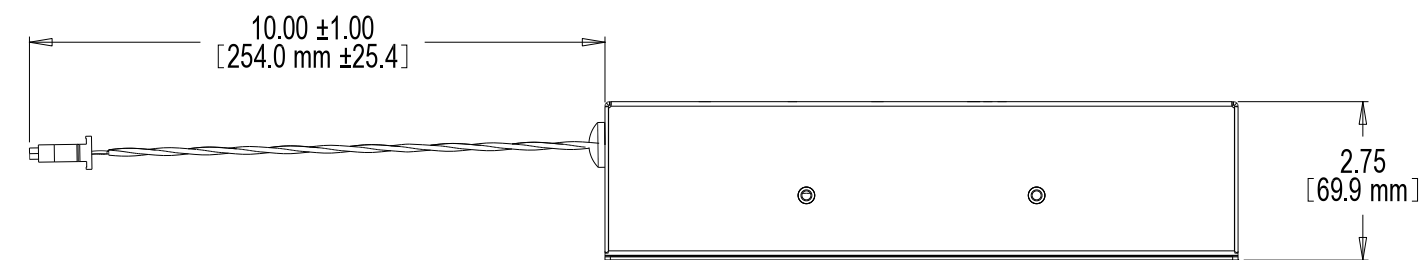
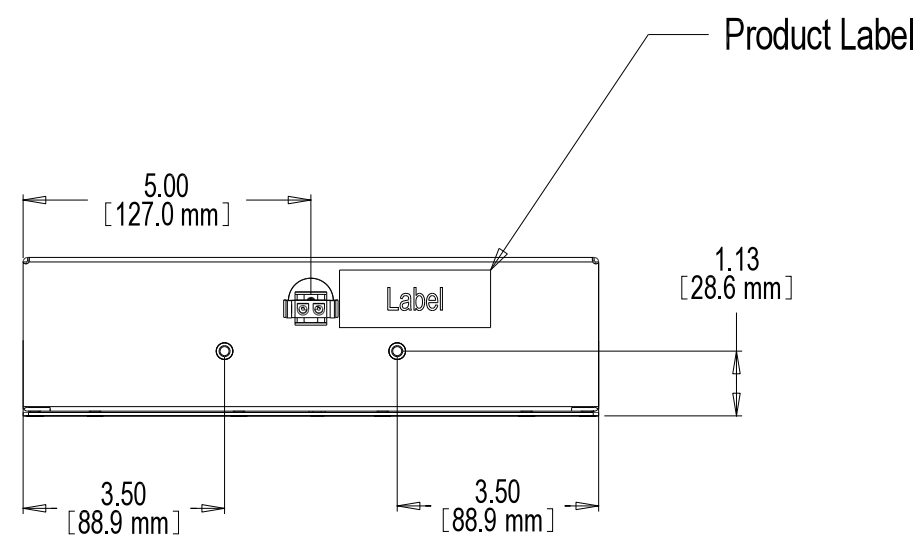
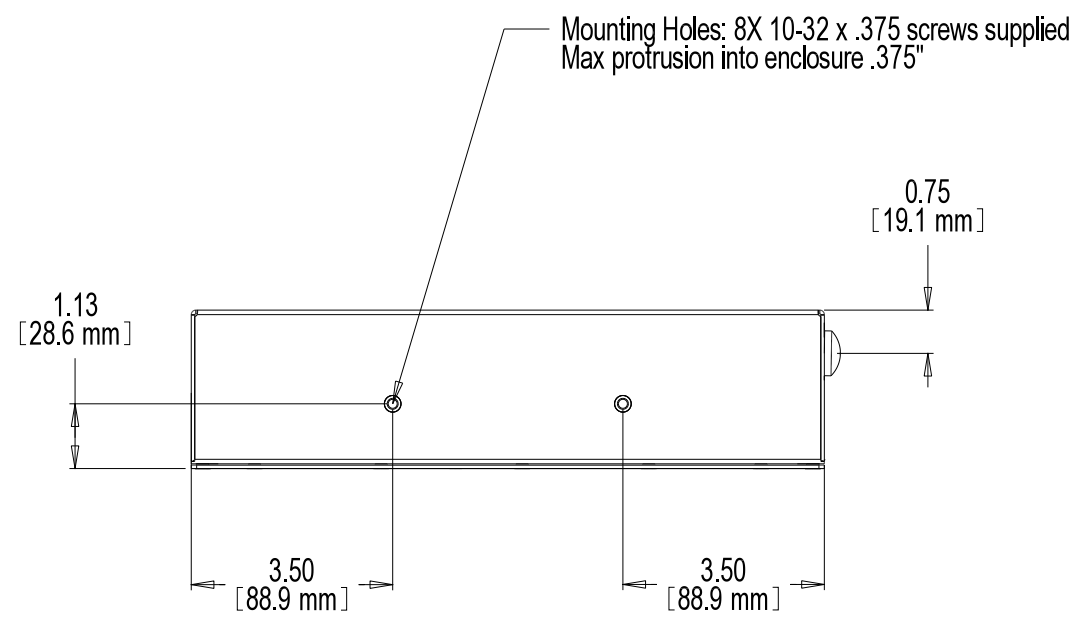
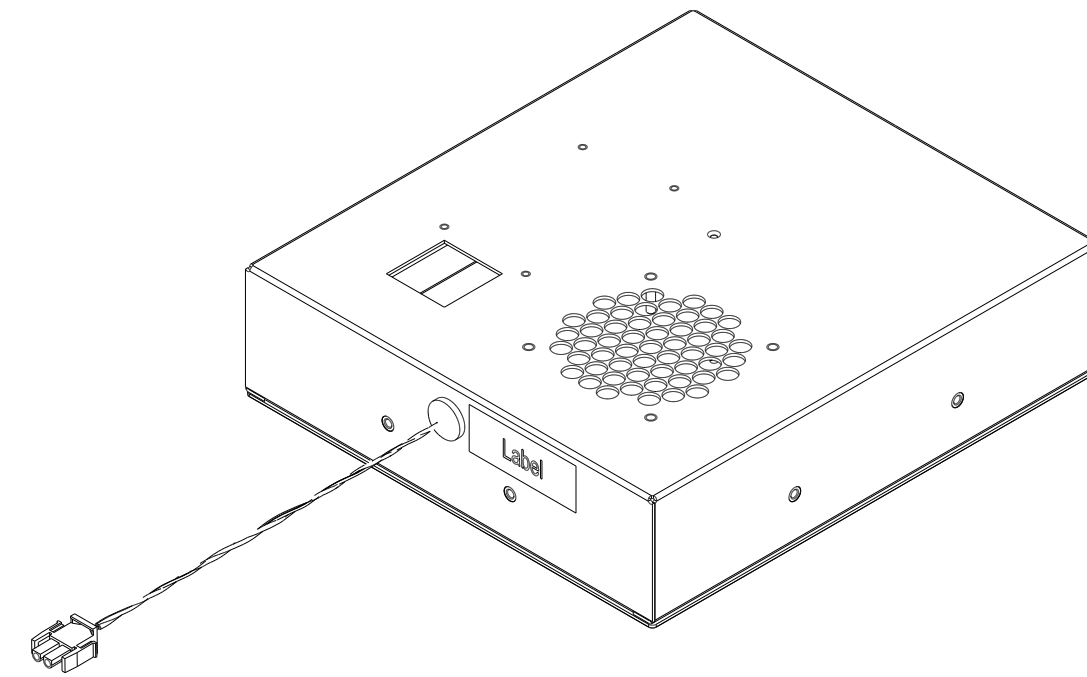
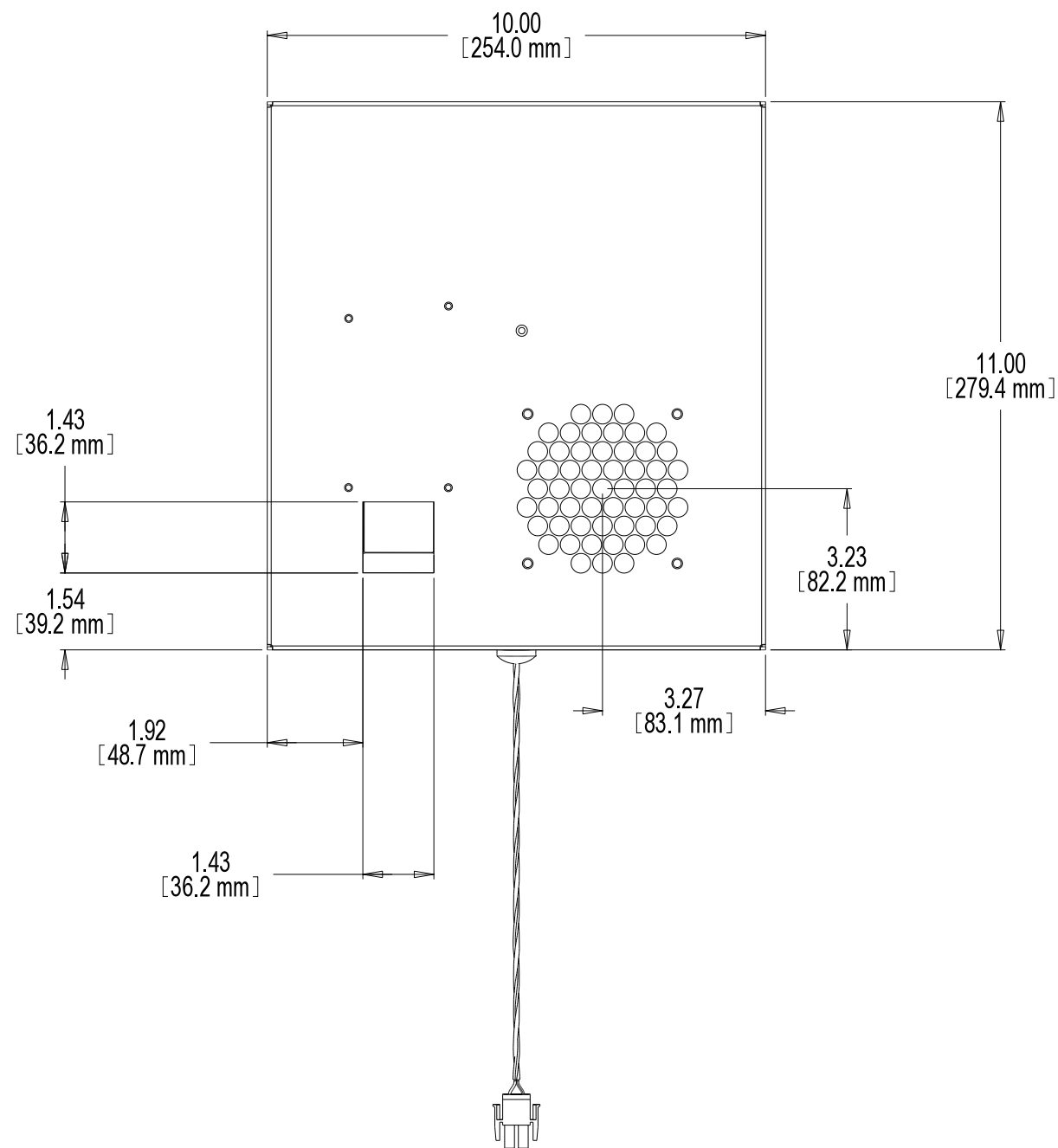
2

1

P/N	DESCRIPTION
106511-289-4A0001	As Shown

REVISIONS					
DOC REV#	ECN#	DESCRIPTION	ENGINEER	APPROVED	DATE
1	NDI	Released RevB to production Updated Product Label Location	JJK	<i>Dg</i>	09/30/2020

Pin	Description
1	Audio Input +
2	Audio Input -




NOTES:

1. Material: 5052-H32 Aluminum
2. Finish: Black Anodized
3. Tolerances: x.x = ± .03 in x.xx = ± .01 in
4. Weight: < 3.0 lbs (< 1.4 Kg)
5. Connector: AMP PN 350777-1
6. Connector Pins: AMP PN 350690-1
7. Impedance: 4 Ohm Nominal
8. TSD-C139A

CAGE CODE: 4MSE6

All information contained in this document is considered proprietary and may not be copied, transferred, or disclosed except as authorized by Alto Technologies Corporation.



Sterling, MA 01564

3D MODEL REV 1	THIRD ANGLE PROJECTION 	DESCRIPTION ASW-289 Cabin Subwoofer	DOC REV 1
SCALE NTS	UNITS IN	DATE 09/30/2020	DOCUMENT NUMBER 106511-289-4A0001DA
DOC TYPE DA		SHEET 1 of 1	

4

3

2

1