

4

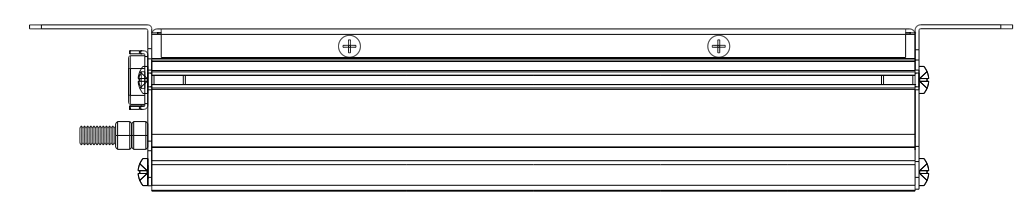
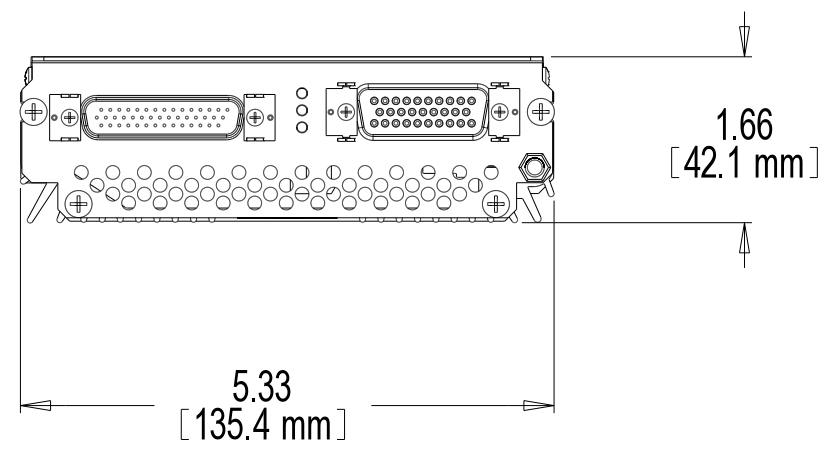
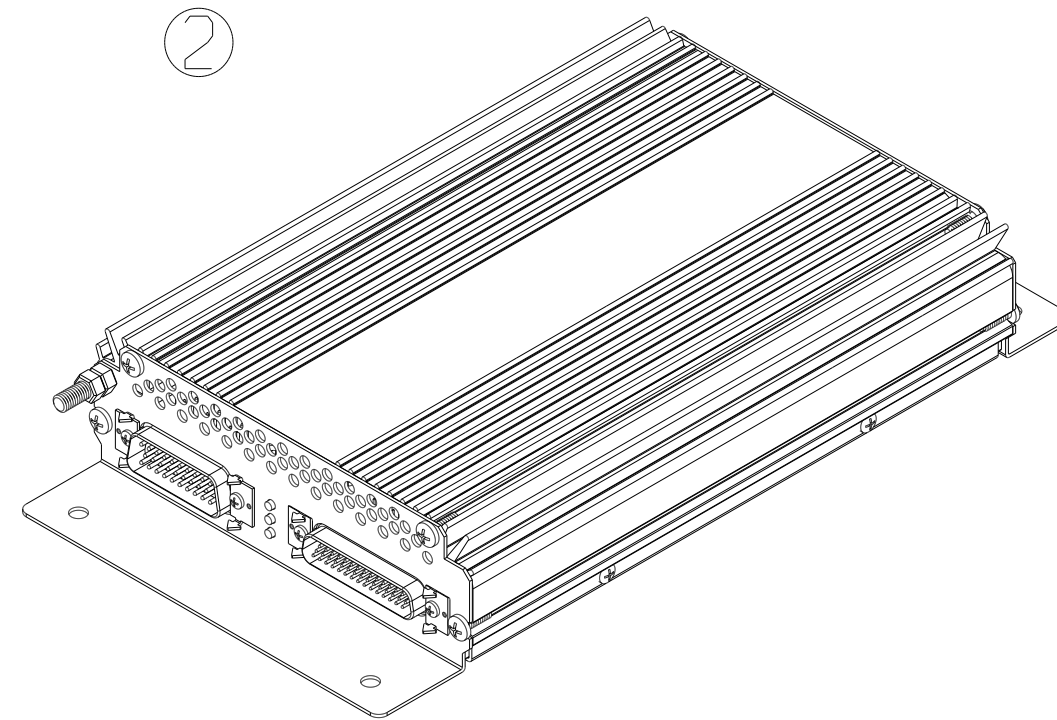
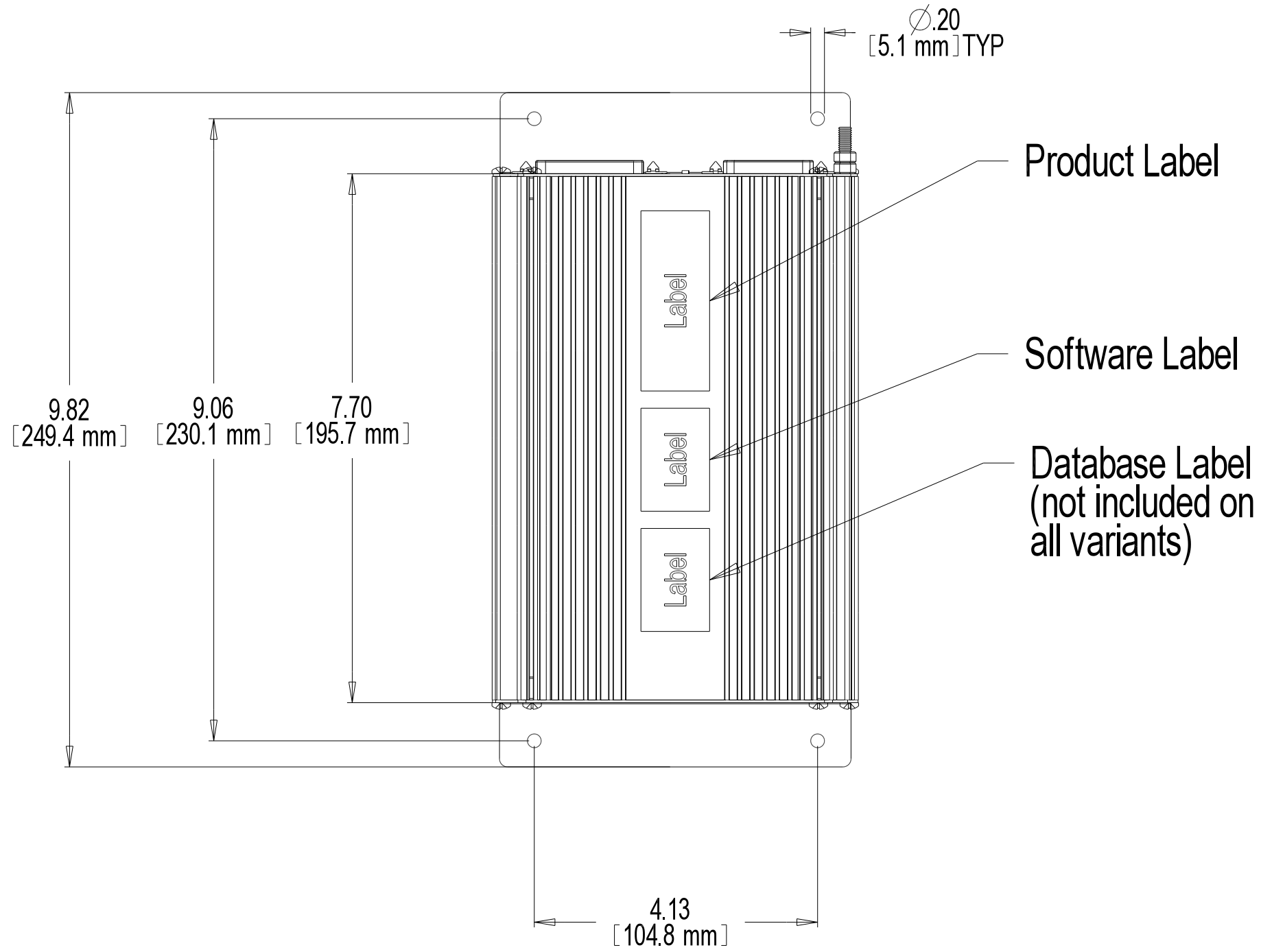
3

2

1

P/N	DESCRIPTION
106570-0003-XXXXX	As shown

REVISIONS					
REV#	ECN#	DESCRIPTION	APPROVED	QUALITY	DATE
1	NDI	New Document Issued	JJK	RV	04/13/18
2	E1811002	Removed Envmt. String, Updated Weight Flipped Orthogonal View, Swapped Units	JJK	DFH	11/12/18



- NOTES:
- Tolerances: IN (mm) x.xx = ± 0.100 (± 2.5) x.xxx = ± 0.030 (± 0.75) angles = ± 1°
 - TSO-C139a
 - Weight: < 2.0 lbs / 0.91 kg

2

NOTICE
All information contained in this document is considered proprietary and may not be copied, transferred, or disclosed except as authorized by Alto Technologies Corporation.



3D Model Rev 1	THIRD ANGLE PROJECTION	DESCRIPTION CA-003 Cabin Audio Selector	REV 2
SCALE NTS	UNITS IN	DATE 11/12/18	DRAWING NUMBER 106570-0003-XXXXXDA
DOC TYPE DA	SHEET 1 of 1		

4

3

2

1