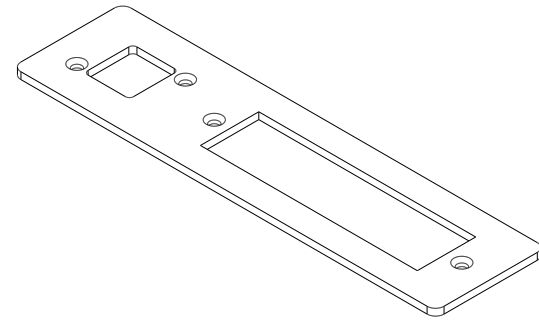
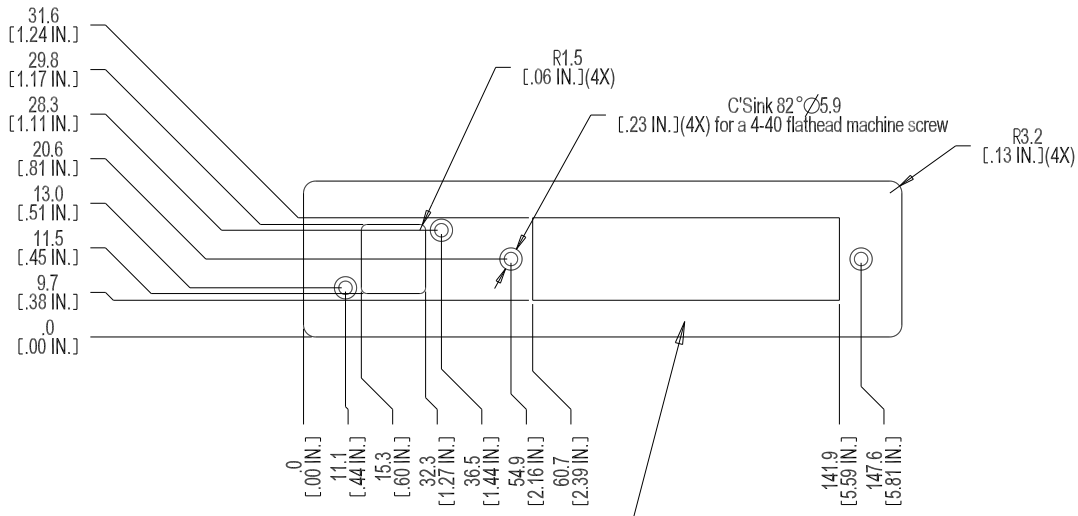


P/N	DESCRIPTION
201288	As shown

REVISIONS					
REV#	ECN#	DESCRIPTION	ENGINEER	APPROVED	DATE
1	NDI	New Document Issued	JJK	JBS	10/02/15
②	E1602002	Removed Break Sharp Corners Note	JJK	DFH	03/22/16



Note: Time saver machine cannot be used on this part.
This part cannot have a brushed finish.

- NOTES:
- Material: 2.54mm (0.100") Thk 5052-H32 Aluminum
 - Finish: 2
 - Tolerances: mm (in) x.x = ± 0.5 (± 0.020) x.xx = ± 0.25 (± 0.010) angles = ± 1°
 - Control Item:
 - Vendor:
 - Release based on:

3	DRAWN BY	J. Kostick	DATE	08/28/15					2						
	ENGINEER	J. Kostick	DATE	08/28/15											
2	APPROVED	D. Hamilton	DATE	08/28/15	3D Model Rev	1	DECUI Keypad with USB Cosmetic Plate		2						
	DOC LEVEL	NOTICE All information contained in this document is considered proprietary and may not be copied, transmitted, or disclosed except as authorized by Albo Technologies Corporation.			SCALE	NTS				UNITS	MIN	DATE	03/22/16	DRAWING NUMBER	201288PT