

ALTO

AVIATION

Premium Cabin Audio/Entertainment Solutions
for all aircraft in Business Aviation™

BTR-300

Aircraft Bluetooth™ Audio Receiver



The ALTO Bluetooth™ Audio Receiver model BTR-300 allows the user to connect a Personal Electronic Device (PED) audio output to the aircraft Cabin Entertainment System using the Bluetooth™ A2DP Profile. The compact enclosure has an internal antenna and supports simple mounting behind a non-metallic side panel, in the PSU area, or in a closet or electronics bay. Simple pairing supports a single switch and single indicator interface. The indicator lights when a connection is active. Paired devices are stored in memory and automatically reconnected. A press of the switch disconnects any connected device, clears the pairing memory and waits for another connection.

Line level audio is delivered from the unit to the cabin entertainment system input. Volume to the system is determined by the PED and may vary based on the setting.

FEATURES

- DO-160G Aviation qualified
- A2DP audio with SBC Codec integration
- Integrated high-sensitivity antenna, -90 dBm
- Discrete switch input and Indicator output directly interfaces with Alto CSS switch or any discrete switch & Indicator
- Supports Aux Input Jack to allow for optional wired audio
- Simple, reliable Bluetooth™ pairing and auto-reconnect
- Programmable connection naming
- Operates on 28VDC power supply
- Weighs less than 3.3 oz.
- Small enclosure for flexible mounting

SPECIFICATIONS

Product Code	107840-0300
Frequency Response	30-19kHz +/- 3dB
Power Supply	28VDC
Operating Current	30 mA maximum
Audio Output	Stereo analog output
Transmit Power	+6.5 dBm
Codecs	Supports SBC audio Codec
Dimensions	1.7"W x 2.7"L x 0.75"H (44mmW x 69mmL x 19mmH)
Weight	< 3.3 oz. / 94 g

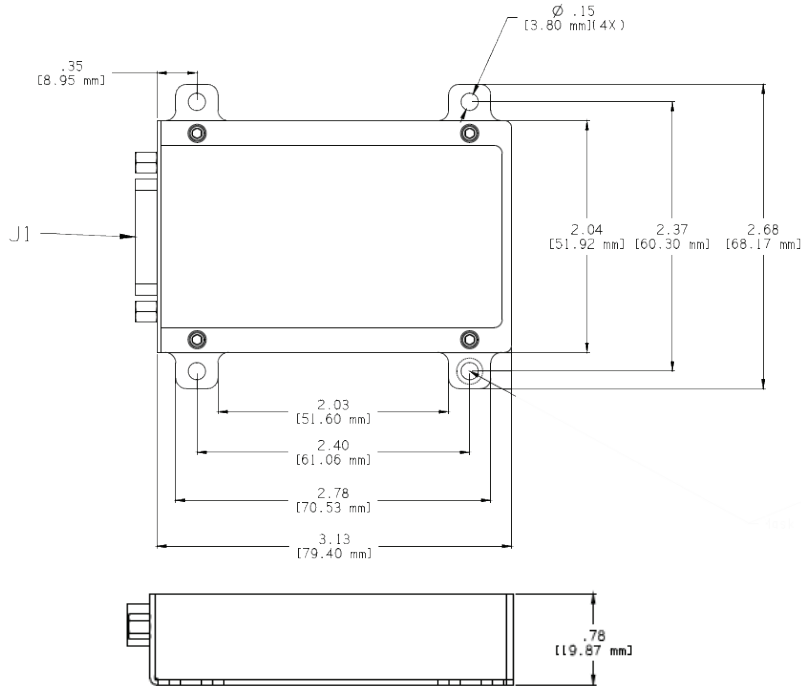
ALTO

AVIATION

Premium Cabin Audio/Entertainment Solutions
for all aircraft in Business Aviation™

BTR-300

Aircraft Bluetooth™ Audio Receiver

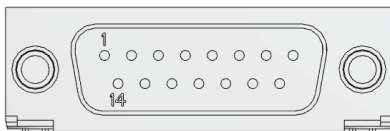


DIMENSIONS

BTR-300 Aircraft Bluetooth™ Audio Receiver

CONNECTOR

Connector J1



15 pin Male D-Sub with Fixed Female Jack Screws
Connector PN: TE 5747236-4 with Fixed Female Jack Screws
Mate: Any equivalent 15 Pin Female DSUB with Rotating 4-40 Jack Screws

Pin	Function	Pin	Function
1	Power +28V	9	Reserved
2	Power GND	10	Audio OUT Left +
3	Pairing Switch 1	11	Reserved
4	Pairing LED	12	Audio OUT Left -
5	Aux In L/R -	13	Reserved
6	Reserved	14	Audio OUT Right +
7	Aux In R +	15	Audio OUT Right -
8	Aux In L +		

86 Leominster Rd Sterling, MA 01564
978-466-5992, 800-814-0123 (Toll-Free)
978-466-5996
www.altoaviation.com

ALTO products are continually improved. All specifications are subject to change without notice. Information in this document is proprietary.
Copyright © ALTO Technologies Corporation. All rights reserved. Doc# 107840-0300DS Rev 2