

ALTO

AVIATION

Premium Cabin Audio/Entertainment Solutions
for all aircraft in Business Aviation™



KP-34XX

**Cabin Entertainment Keypad
4 Key Video with Cabin/Headphone Out
4 Key Video with Auxiliary In**

The ALTO KP-34XX Keypad is designed to work in concert with ALTO's Digital Acapella Series Amplifiers. The Keypad controls the volume and source select for the audio/video cabin entertainment system. There are right-hand and left-hand models to give maximum flexibility for left, right, fwd and aft seating installations. The audio jack is a standard 3.5mm 3-conductor type. This audio jack is used for providing headphone audio or as an auxiliary audio input, depending upon the Keypad model selected. Simply connect this jack to the headphones/personal media player of your choice. This audio jack is connected to the amplifier as either a headphone source output or audio source input, depending upon the Keypad model selected. The Keypad has adjustable LED backlight colors and comes standard with a satin anodized aluminum housing. Non-anodized housings are available for custom plating.

FEATURES

- Optimized for smaller cabin with no IFE
- Controls volume and audio/video source select for the cabin entertainment system and headphone audio
- Top-mounted design installs on any flat surface
- Easily installed without precision cutting
- Standard 3.5mm 3-conductor type audio jack
- Left & Right hand models
- Adjustable LED backlight colors
- Custom plating optional
- Connects with ALTO's Digital Acapella Series Amplifiers

SPECIFICATIONS

Product Code	107550-3401 (Left Hand Video Keypad with Headphone Output) 107550-3402 (Right Hand Video Keypad with Headphone Output) 107550-3403 (Left Hand Video Keypad with Auxiliary Audio Input) 107550-3404 (Right Hand Video Keypad with Auxiliary Audio Input)
	Detachable Cover Bezel Options
	107001 Left Hand Clear Anodized Completed Assembly 107002 Right Hand Clear Anodized Completed Assembly 107101 Left Hand Un-anodized- (screws, cover and magnets in a kit) 107102 Right Hand Un-anodized- (screws, cover and magnets in a kit)
Weight	< 4.5 oz. (< 128 g)
Length	5.29 in (123.4mm)
Width	1.92 in (48.8mm)
Height	.68 in (17.3mm)
DO-160G Env. Cat.	[A2X]CAB[(SC)(HR)]XWXXXXZ[X(XX)]XX[AC][XX]X[XXXXXX][XXXX]XXXX
Connector Kit	201003 Keypad Mating Connector Kit
D-Sub Adapter	106361 D-Sub Adapter Harness
Connectors	J2 Connector PN: 0436450400 Molex Connector Plug 4 Position 3mm Single Row J3 Connector PN: 0430250800 Molex Connector Plug 8 Position 3mm Vertical Dual Row

- 🏠 86 Leominster Rd Sterling, MA 01564
- ☎ 978-466-5992, 800-814-0123 (Toll-Free)
- 📠 978-466-5996
- 🌐 www.altoaviation.com

ALTO products are continually improved. All specifications are subject to change without notice. Information in this document is proprietary.
Copyright © ALTO Technologies Corporation. All rights reserved. **Doc# 107550-34XXDS Rev 1**

KP-34XX Video Keypad / 4 Key Headphone Output/Aux In

ALTO

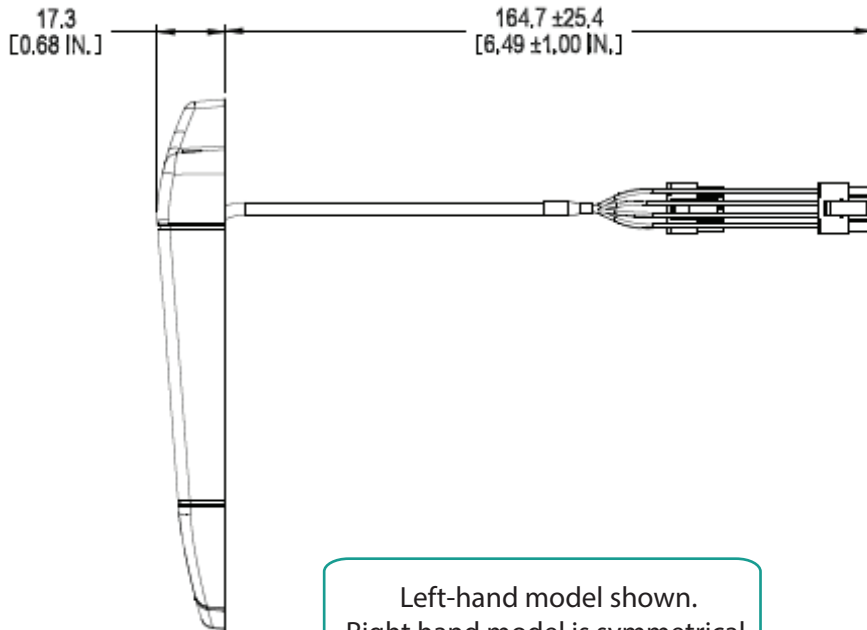
AVIATION

Premium Cabin Audio/Entertainment Solutions
for all aircraft in Business Aviation™

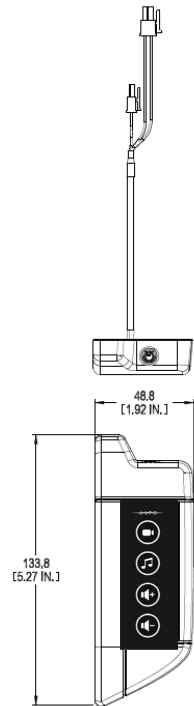
KP-34XX

Cabin Entertainment Keypad
4 Key Video with Cabin/Headphone Out
4 Key Video with Auxiliary In

DIMENSIONS



Left-hand model shown.
Right hand model is symmetrical.

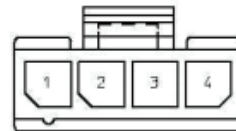


Note: Dimensions are for reference only. See DA (Delivered Assembly) drawing for exact dimensions

CONNECTOR PINOUTS

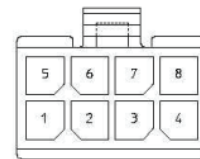
Connector J2:

4 Pin Connector: 0436450400 (Keypad)
Mating connector: 0430200801(in ALTO kit)
Molex Connector Plug 4 Position 3mm Single Row



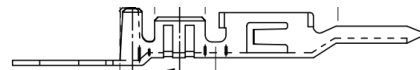
Connector J3

8 Pin Connector: 0430250800 (Keypad)
Mating connector 0430200801(in ALTO kit)
Molex Connector Plug 8 Position 3mm Vertical Dual Row



Connector Pin PN: 0510211100

Mating Pin: 0430310001(in ALTO kit)
Molex Connector Terminal Male 20-24 AWG Tin



KP-34XX Video Keypad / 4 Key Headphone Output/Aux In

86 Leominster Rd Sterling, MA 01564
978-466-5992, 800-814-0123 (Toll-Free)
978-466-5996
www.altoaviation.com

ALTO products are continually improved. All specifications are subject to change without notice. Information in this document is proprietary.
Copyright © ALTO Technologies Corporation. All rights reserved. Doc# 107550-34XXDS Rev 1