

ALTO

A V I A T I O N

Premium Cabin Audio/Entertainment Solutions
for all aircraft in Business Aviation™

KP-14XX

Cabin Entertainment Keypad
4 Key with Audio Input



The ALTO KP-14XX Keypad is designed to work in concert with ALTO's Digital Acapella Series Amplifiers. The Keypad controls the volume, speaker on/off and source select for the audio cabin entertainment system. There are right-hand and left-hand models to give maximum flexibility for left, right, fwd and aft seating installations. The audio jack is a standard 3.5mm 3-conductor type. This audio jack is used for auxiliary input audio. Simply connect this jack to the output of a personal media device with a stereo patch cord. This audio jack is connected to the amplifier as a source input. The Keypad has adjustable LED backlight colors and comes standard with a satin anodized aluminum housing. Non-anodized housings are available for custom plating.

FEATURES

- Optimized for smaller cabin with no IFE
- Controls volume, speaker on/off and source select for the audio cabin entertainment system
- Top-mounted design installs on any flat surface
- Easily installed without precision cutting
- Standard 3.5mm 3-conductor type audio jack
- Left & Right hand models
- Adjustable LED backlight colors
- Custom plating optional
- Connects with ALTO's Digital Acapella Series Amplifiers

SPECIFICATIONS

Product Code	107550-1401 (Left Hand Keypad) 107550-1402 (Right Hand Keypad) Detachable Cover Bezel Options 107001 Left Hand Clear Anodized Completed Assembly 107002 Right Hand Clear Anodized Completed Assembly 107101 Left Hand Un-anodized- (screws, cover and magnets in a kit) 107102 Right Hand Un-anodized- (screws, cover and magnets in a kit)
Weight	< 4.5 oz. (< 128 g)
Length	5.29 in (123.4mm)
Width	1.92 in (48.8mm)
Height	.68 in (17.3mm)
DO-160G Env. Cat.	[A2X]CAB[(SC)(HR)]XWXXXXXZ[X(XX)]XX[AC][XX]X[XXXXXX][XXXX]XXXX
Connector Kit	201003 Keypad Mating Connector Kit
D-Sub Adapter	106361 D-Sub Adapter Harness
Connectors	J2 Connector PN: 0436450400 Molex Connector Plug 4 Position 3mm Single Row J3 Connector PN: 0430250800 Molex Connector Plug 8 Position 3mm Vertical Dual Row

- 🏠 86 Leominster Rd Sterling, MA 01564
- ☎ 978-466-5992, 800-814-0123 (Toll-Free)
- 📠 978-466-5996
- 🌐 www.altoaviation.com

ALTO products are continually improved. All specifications are subject to change without notice. Information in this document is proprietary.
Copyright © ALTO Technologies Corporation. All rights reserved. **Doc# 107550-14XXDS Rev 1**

KP-14XX Entertainment Keypad / 4 Key Input

ALTO

AVIATION

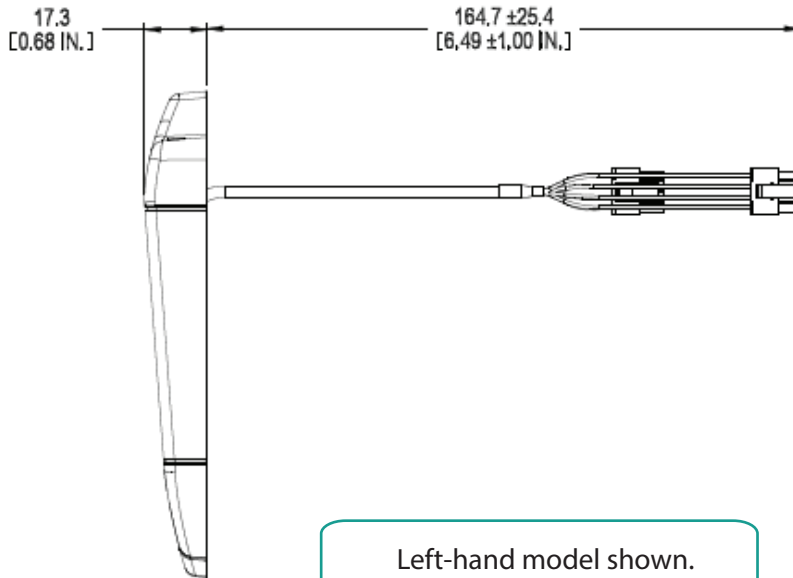
Premium Cabin Audio/Entertainment Solutions
for all aircraft in Business Aviation™

KP-14XX

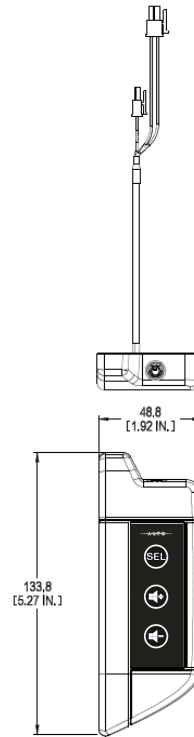
Cabin Entertainment Keypad
4 Key with Audio Input

KP-14XX Entertainment Keypad / 4 Key Input

DIMENSIONS



Left-hand model shown.
Right hand model is symmetrical.

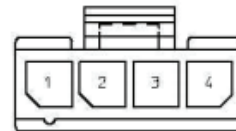


Note: Dimensions are for reference only. See DA (Delivered Assembly) drawing for exact dimensions

CONNECTOR PINOUTS

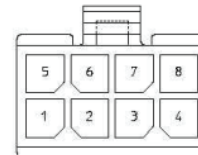
Connector J2:

4 Pin Connector: 0436450400 (Keypad)
Mating connector: 0430200801 (in ALTO kit)
Molex Connector Plug 4 Position 3mm Single Row



Connector J3

8 Pin Connector: 0430250800 (Keypad)
Mating connector: 0430200801 (in ALTO kit)
Molex Connector Plug 8 Position 3mm Vertical Dual Row



Connector Pin PN: 0510211100

Mating Pin: 0430310001 (in ALTO kit)
Molex Connector Terminal Male 20-24 AWG Tin

