

# ALTO

A V I A T I O N

Premium Cabin Audio/Entertainment Solutions  
for all aircraft in Business Aviation™

## KP-4XX

### Cabin Entertainment Keypad 4 Key with Headphone Output



The ALTO KP-4XX Keypad is designed to work in concert with ALTO's Digital Acapella Series Amplifiers. The Keypad controls the volume, speaker on/off and source select for the audio cabin entertainment system, as well as headphone audio. There are right-hand and left-hand models to give maximum flexibility for left, right, fwd and aft seating installations. The audio jack is a standard 3.5mm 3-conductor type. This audio jack is used for providing headphone audio. Simply connect this jack to the headphones of your choice. This audio jack is connected to the amplifier as a headphone source output. The internal circuitry determines when the headphone is plugged in. When plugged to a headphone, the select and volume buttons control the headphone logic. When the headphone is removed, the select and volume buttons control the speaker amplifier. This combinational feature conserves space and precludes the need for two separate panels. The Keypad has adjustable LED backlight colors and comes standard with a satin anodized aluminum housing. Non-anodized housings are available for custom plating

## FEATURES

- Optimized for smaller cabin with no IFE
- Controls volume, speaker on/off and source select for the audio cabin entertainment system and headphone audio
- Top-mounted design installs on any flat surface
- Easily installed without precision cutting
- Standard 3.5mm 3-conductor type audio jack
- Left & Right hand models
- Adjustable LED backlight colors
- Custom plating optional
- Connects with ALTO's Digital Acapella Series Amplifiers

## SPECIFICATIONS

|                                 |  |
|---------------------------------|--|
| <b>Product Code</b>             | 107550-0401 (Left Hand Keypad)<br>107550-0402 (Right Hand Keypad)<br><b>Detachable Cover Bezel Options</b><br>107001 Left Hand Clear Anodized Completed Assembly<br>107002 Right Hand Clear Anodized Completed Assembly<br>107101 Left Hand Un-anodized- (screws, cover and magnets in a kit)<br>107102 Right Hand Un-anodized- (screws, cover and magnets in a kit) |
| <b>Weight</b>                   | < 4.5 oz. (< 128 g)  |
| <b>Length</b>                   | 5.29 in (123.4mm)  |
| <b>Width</b>                    | 1.92 in (48.8mm)   |
| <b>Height</b>                   | .68 in (17.3mm)  |
| <b>DO-160G Env. Cat.</b>        | [A2X]CAB[(SC)(HR)]XWXXXXXZ[X(XX)]XX[AC][XX]X[XXXXXX][XXXX]XXXX   |
| <b>Connector Kit</b>            | 201003 Keypad Mating Connector Kit   |
| <b>D-Sub Adapter Connectors</b> | 106361 D-Sub Adapter Harness<br>•J2 Connector PN: 0436450400<br>Molex Connector Plug 4 Position 3mm Single Row<br>J3 Connector PN: 0430250800<br>Molex Connector Plug 8 Position 3mm Vertical Dual Row   |

- 🏠 86 Leominster Rd Sterling, MA 01564
- ☎ 978-466-5992, 800-814-0123 (Toll-Free)
- 📠 978-466-5996
- 🌐 [www.ALTOaviation.com](http://www.ALTOaviation.com)

ALTO products are continually improved. All specifications are subject to change without notice. Information in this document is proprietary.  
Copyright © ALTO Technologies Corporation. All rights reserved. **Doc# 107550-04XXDS Rev 1**

KP-4XX Entertainment Keypad / 4 Key Headphone Output

# ALTO

A V I A T I O N

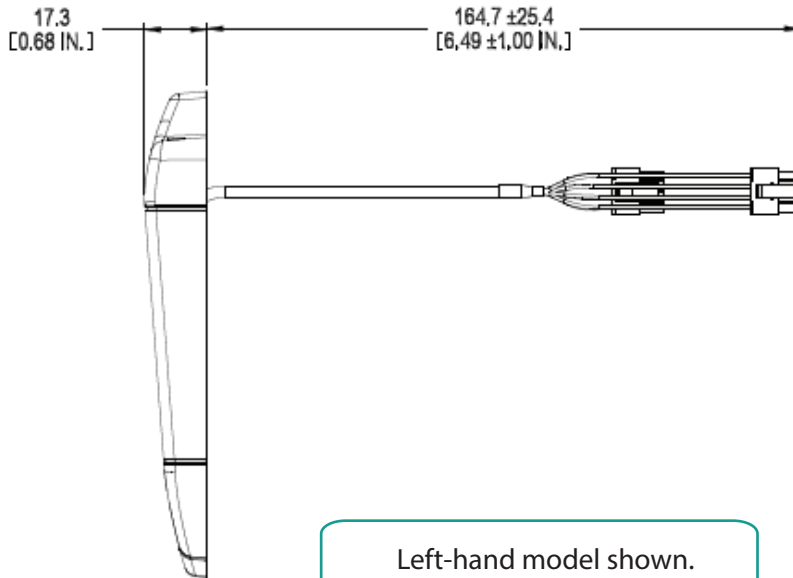
Premium Cabin Audio/Entertainment Solutions  
for all aircraft in Business Aviation™

## KP-4XX

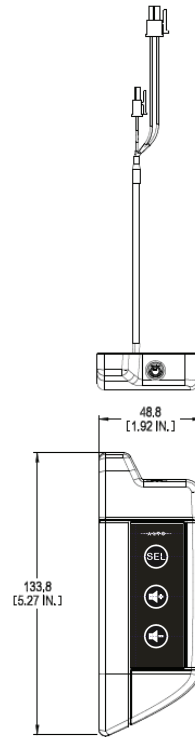
Cabin Entertainment Keypad  
4 Key with Headphone Output

KP-4XX Entertainment Keypad / 4 Key Headphone Output

### DIMENSIONS



Left-hand model shown.  
Right hand model is symmetrical.

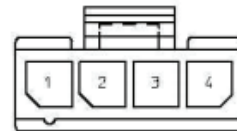


Note: Dimensions are for reference only. See DA (Delivered Assembly) drawing for exact dimensions

### CONNECTOR PINOUTS

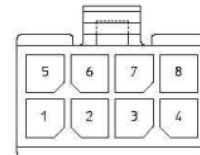
#### Connector J2:

4 Pin Connector: 0436450400 (Keypad)  
Mating connector: 0430200801 (in ALTO kit)  
Molex Connector Plug 4 Position 3mm Single Row

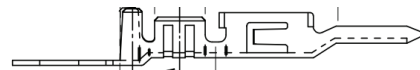


#### Connector J3

8 Pin Connector: 0430250800 (Keypad)  
Mating connector: 0430200801 (in ALTO kit)  
Molex Connector Plug 8 Position 3mm Vertical Dual Row



Connector Pin PN: 0510211100  
Mating Pin: 0430310001 (in ALTO kit)  
Molex Connector Terminal Male 20-24 AWG Tin



86 Leominster Rd Sterling, MA 01564  
978-466-5992, 800-814-0123 (Toll-Free)  
978-466-5996  
www.ALTOaviation.com

ALTO products are continually improved. All specifications are subject to change without notice. Information in this document is proprietary.  
Copyright © ALTO Technologies Corporation. All rights reserved. Doc# 107550-04XXDS Rev 1