

# ALTO

A V I A T I O N

Premium Cabin Audio/Entertainment Solutions  
for all aircraft in Business Aviation™

## ASF-609

Aircraft Cabin Full  
Range Loudspeaker



The ASF-609 is a lightweight, full-range loudspeaker enclosure specifically designed for ceiling installations in VVIP aircraft which require excellent full-range audio in smaller spaces. This dual driver, bass reflex loudspeaker module has two extended range drivers that are precisely matched to the acoustically tuned enclosure resulting in high output. The orientation of the two drivers provides for a wide sound dispersion characteristic reducing localization and an improvement in the acoustic balance in the aircraft cabin.

### FEATURES

- Weighs less than 2.0lbs
- 2.5" deep
- Dual drivers for excellent output volume
- Full range audio designed for use in ceiling installations in VVIP aircraft.
- TSO-C139
- Integrated grills protect speakers during installation
- Bass reflex aluminum enclosure with welded seams
- Integral part of the ALTO Aviation Entertainment System (AES)

### SPECIFICATIONS

<b>Product Code</b>	ALTO P/N 106508-609-4AXXX (4 Ohm) (Standard connector type A) ALTO P/N 106508-609-8AXXX (8 Ohm) (Standard connector type A)
<b>Drivers</b>	2.5" extended range 2 per enclosure
<b>Frequency Response</b>	80Hz - 20KHz
<b>Enclosure</b>	Bass reflex matched precisely to the drivers Aluminum with welded seams Integral grill for driver protection during installation
<b>Impedance</b>	4 Ohm (nominal) or 8 Ohm
<b>Continuous Power Rating</b>	20 Watt RMS
<b>Max. Power Rating</b>	40 Watt RMS
<b>Sensitivity</b>	94dB SPL @ 1W/1m
<b>DO-160F Env. Cat</b>	[A2X]CAB[(SC)(HR)]XXXXXXXXBXXXXXXXX[XXXXX]XXXX
<b>Dimensions</b>	7.0"W X 7.0"H X 2.5"D 177.8mm W X 177.8mm H X 63.5mm D
<b>Mating Connector</b>	2 pin Amp Universal MATE-N-LOK (Connector type A)
<b>Weight</b>	<2.0lbs (<.9 kg)

# ALTO

## AVIATION

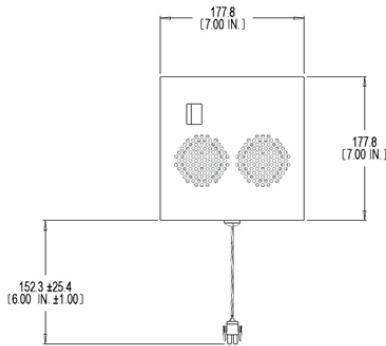
Premium Cabin Audio/Entertainment Solutions  
for all aircraft in Business Aviation™

### ASF-609

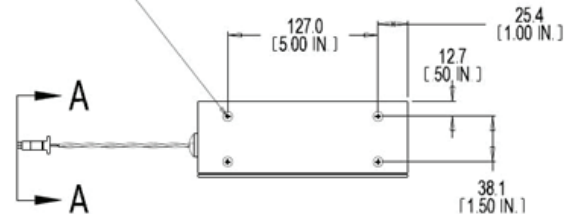
Aircraft Cabin Full  
Range Loudspeaker

ASF-609 Aircraft Cabin Full Range Loudspeaker

### DIMENSIONS



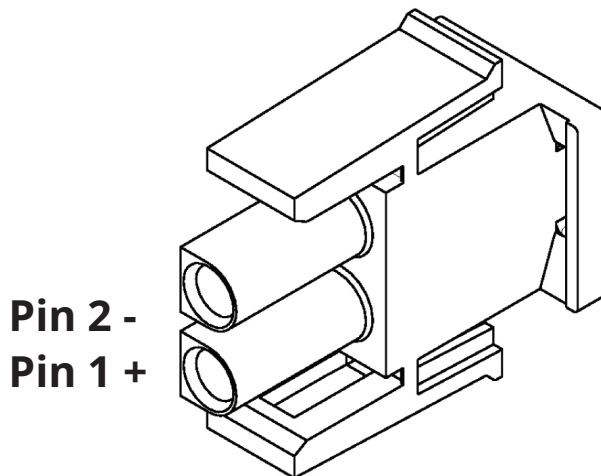
6.32 mounting holes (6X)  
Max intrusion into enclosure = .375"  
8.32 x 3/75 pan head screws included (6X)  
all mounting screws must be secured in place during operation.



Note: Dimensions are for reference only. See DA (Delivered Assembly) drawing for exact dimensions. If the dimension, weight, and connector specifications of this product do not meet your requirements, ALTO can custom design a product for your application.

### CONNECTOR PINOUTS

Connector for p/n's 106508-609-XAXXXX where "A" designates specific connector.  
Please contact ALTO for additional connector options.



Mating Connector  
Amp PN 350778-1

Mating Pin  
Amp PN 350550-1