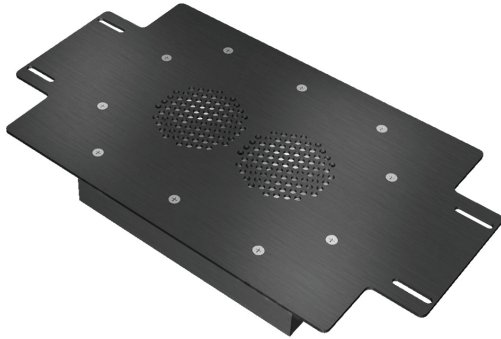


ALTO

AVIATION

Premium Cabin Audio/Entertainment Solutions
for all aircraft in Business Aviation™

ASP-401 Aircraft Cabin Loudspeaker



The ASP-401 is a loudspeaker module with two high excursion drivers that are precisely matched to the acoustically tuned enclosure resulting in high output. It weighs less than 16 oz. The motor structure of the drivers is designed to have low magnetic leakage compared to conventional designs. The orientation of the two drivers provides for a wide sound dispersion characteristic reducing localization and an improvement in the acoustic balance in the aircraft cabin. The small dimensions of the unit simplify installation in the overhead panels, requiring less width and depth behind the panel, and a smaller grill opening into the cabin.

FEATURES

- Weighs < 16 oz
- 1.8" deep
- Small package allows for easy installation
- Wide dispersion pattern to reduce near-speaker localization while providing even sound throughout the cabin
- TSO-C139
- Integrated grills protect speakers during installation
- Aluminum enclosure with welded seams
- Integral part of the ALTO Aviation Entertainment System (AES)

SPECIFICATIONS

Product Code	106508-401-4AXXXX (4 Ohm) (Standard connector type A) 106508-401-8AXXXX (8 Ohm) (Standard connector type A)
Frequency Response	150Hz - 20KHz
Impedance	4 or 8 depending on application
Drivers	2" high excursion, low magnetic leakage 2 per enclosure
Enclosure	Aluminum with welded seams, Integral grill for driver protection during installation
Continuous Power Rating	20 Watt RMS
Max. Power Rating	40 Watt RMS
Sensitivity	90 dB SPL @ 1W/1m @ 1kHz
DO-160F Env. Cat	[A2X]CAB[(SC)(HR)]XXXXXXXXBXXXXXXXX[XXXXX]XXXX
Mating Connector	See Connector Pinouts
Weight	< 16 oz (454 g)
Dimensions	10.13"W X 5.7"H X 1.77"D 257.2mm W X 144.8mm H X 45mm D

86 Leominster Rd Sterling, MA 01564
978-466-5992, 800-814-0123 (Toll-Free)
978-466-5996
www.altoaviation.com

ALTO products are continually improved. All specifications are subject to change without notice. Information in this document is proprietary.
Copyright © ALTO Technologies Corporation. All rights reserved. **Doc# 106508-401-XAXXXXDS Rev 3**

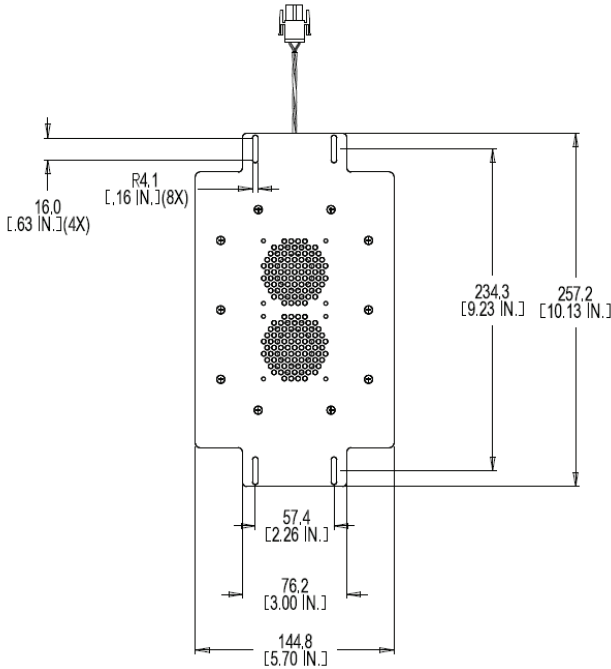
ASP-401 Aircraft Cabin Loudspeaker

ALTO

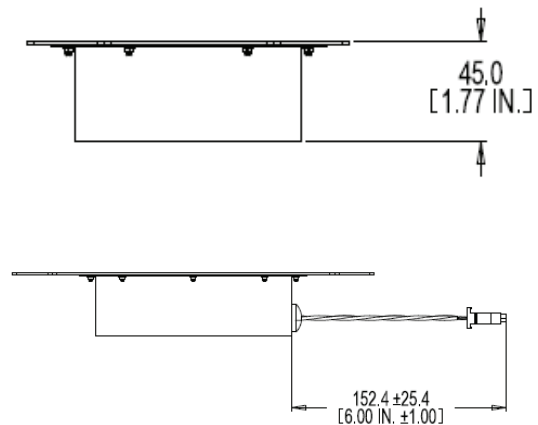
AVIATION

Premium Cabin Audio/Entertainment Solutions
for all aircraft in Business Aviation™

ASP-401 Aircraft Cabin Loudspeaker



DIMENSIONS

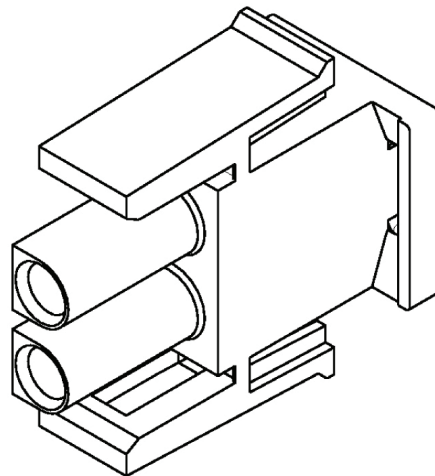


Note: Dimensions are for reference only. See DA (Delivered Assembly) drawing for exact dimensions. If the dimension, weight, and connector specifications of this product do not meet your requirements, ALTO can custom design a product for your application.

CONNECTOR PINOUTS

Connector for p/n's 106508-401-XAXXXX, where "A" designates specific connector.
Please contact ALTO for additional connector options.

Pin 2 -
Pin 1 +



Mating Connector
Amp PN 350778-1

Mating Pin
Amp PN 350550-1