

ALTO

A V I A T I O N

Premium Cabin Audio/Entertainment Solutions
for all aircraft in Business Aviation™

ASW-565

Aircraft Cabin Subwoofer



The ASW-565 is a lightweight, high power, bass reflex subwoofer module designed for placement in most luxury seat bases, divans, bulkheads, sidewalls, or cabinets. The high excursion 5.25" driver is precisely matched to the acoustically tuned enclosure resulting in high output and lower frequency bass roll off. The motor structure of the driver is designed to be lightweight and have low magnetic leakage compared to conventional designs. This subwoofer is an integral part of the ALTO Aviation Entertainment System (AES), a complete audio system in which the amplifiers and speakers are customized and matched to the acoustics of the aircraft to provide the finest audio available.

FEATURES

- Weighs < 3.85 lbs
- 3.9" deep
- Bass reflex design allows for lower frequency bass roll off
- Shape can be customized to customer requirements
- TSO-C139
- Integrated grills protect speakers during installation
- Aluminum enclosure with welded seams
- High efficiency driver with low magnetic leakage precisely matched to the enclosure
- Integral part of the ALTO Aviation Entertainment System (AES)

SPECIFICATIONS

Product Code	106511-565-4AXXXX (4 Ohm) (Standard connector type A)
Frequency Response	40Hz - 200Hz
Impedance	4 Ohm nominal
Drivers	5.25" high excursion, low magnetic leakage, high force design
Enclosure	Bass reflex matched precisely to the drivers Aluminum with welded seams
	Integral grill for driver protection during installation
Continuous Power Rating	25 Watt RMS
Max. Power Rating	50 Watt RMS
Sensitivity	88 dB SPL @ 1W/1m
DO-160F Env. Cat	[A2X]CAB[(SC)(HR)]XXXXXXBXXXXXX[XXXXX]XXXX
Mating Connector	2 pin Amp Universal MATE-N-LOK (Connector type A)
Weight	3.85 lbs (1.75 kg)
Dimensions	8.5"W X 15.25"H X 3.89"D 215.9mm W X 387.4mm H X 98.9mm D

ALTO

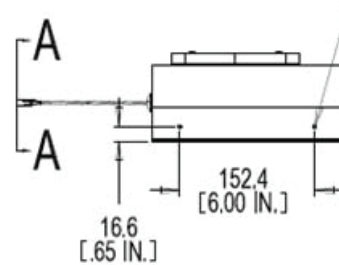
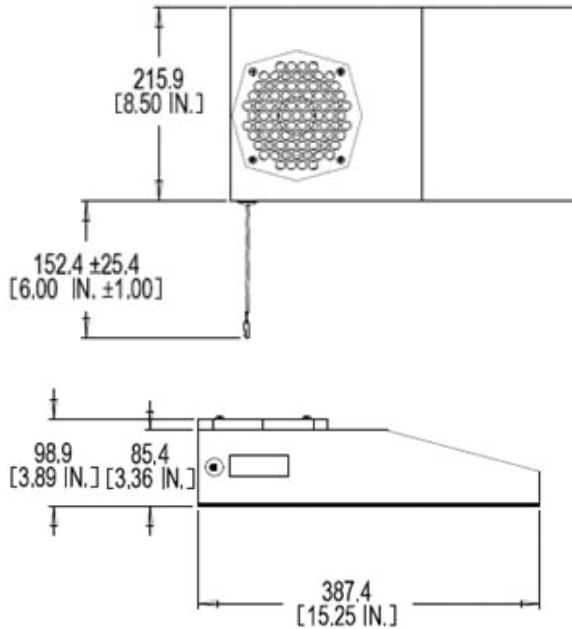
AVIATION

Premium Cabin Audio/Entertainment Solutions
for all aircraft in Business Aviation™

ASW-565

Aircraft Cabin Subwoofer

DIMENSIONS

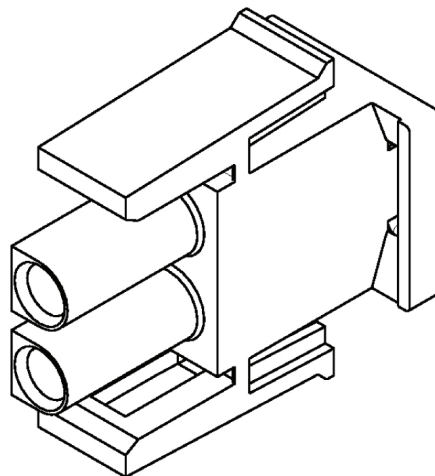


Note: Dimensions are for reference only. See DA (Delivered Assembly) drawing for exact dimensions. If the dimension, weight, and connector specifications of this product do not meet your requirements, ALTO can custom design a product for your application.

CONNECTOR PINOUTS

Connector for p/n's 106511-565-XAXXXX, where "A" designates specific connector.
Please contact ALTO for additional connector options.

Pin 2 -
Pin 1 +



Mating Connector
Amp PN 350778-1

Mating Pin
Amp PN 350550-1