

ALTO

AVIATION

Premium Cabin Audio/Entertainment Solutions
for all aircraft in Business Aviation™

P-51

Aircraft Page/Chime Loudspeaker



The P-51 Loudspeaker is a light weight speaker enclosure. It is intended as a passenger address loudspeaker. The P-51 can provide passenger address audio and entertainment audio. The motor structure of the drivers is designed to have low magnetic leakage compared to conventional designs. The small dimensions of the unit simplify installation in the overhead panels, requiring less width and depth behind the panel, and a smaller grill opening into the cabin.

FEATURES

- Weighs less than 12 ounces
- 1.5" deep
- Small package allows for easy installation
- Wide dispersion pattern to reduce near-speaker localization while providing even sound throughout the cabin
- TSO-C139
- Integrated grills protect speakers during installation
- Aluminum enclosure with welded seams
- Integral part of the ALTO Aviation Entertainment System (AES)

SPECIFICATIONS

Product Code	106508-051-4AXXXX (4 Ohm) (Standard connector type A) 106508-051-8AXXXX (8 Ohm) (Standard connector type A)
Frequency Response	150Hz - 20KHz
Impedance	4 or 8 Ohm nominal, depending on application
Drivers	2" high excursion, low magnetic leakage 2 per enclosure
Enclosure	Aluminum with welded seams Integral grill for driver protection during installation
Continuous Power Rating	20 Watt RMS
Max. Power Rating	40 Watt RMS
Sensitivity	90 dB SPL @ 1W/1m @ 1kHz
DO-160F Env. Cat	[A2X]CAB[(SC)(HR)]XXXXXXBXXXXXX[XXXXX]XXXX
Mating Connector	2 pin Amp Universal MATE-N-LOK (Connector type A)
Weight	<12 oz (341 g)
Dimensions	2.85"W X 5.50"H X 1.54"D 72.4mm W X 139.7mm H X 39.1mm D

ALTO

AVIATION

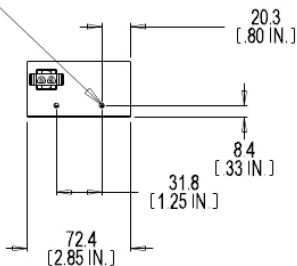
Premium Cabin Audio/Entertainment Solutions
for all aircraft in Business Aviation™

P-51

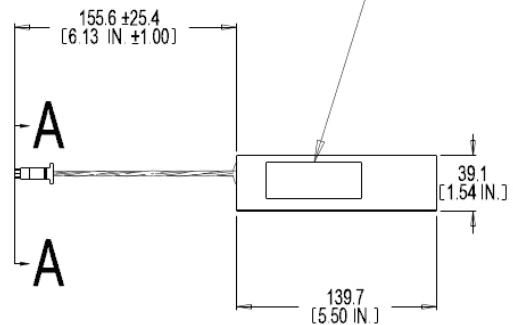
Aircraft Page/Chime Loudspeaker

DIMENSIONS

Mounting Holes: 4X 8-32 x .375 screws supplied
Max protrusion into enclosure .375"



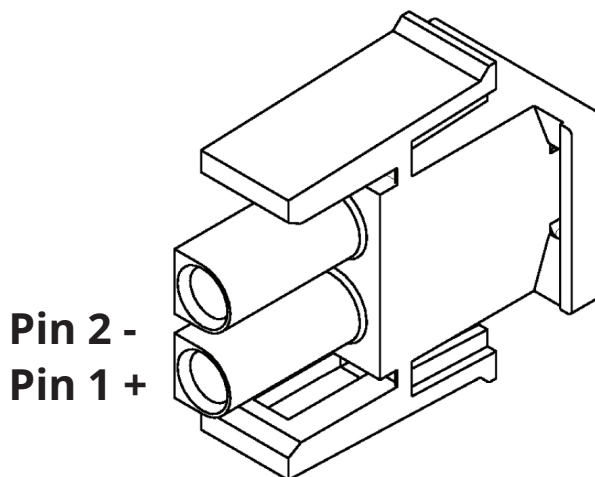
Product Label



Note: Dimensions are for reference only. See DA (Delivered Assembly) drawing for exact dimensions. If the dimension, weight, and connector specifications of this product do not meet your requirements, ALTO can custom design a product for your application.

CONNECTOR PINOUTS

Connector for p/n's 106508-051-XAXXXX, where "A" designates specific connector.
Please contact ALTO for additional connector options.



Mating Connector
Amp PN 350778-1

Mating Pin
Amp PN 350550-1