

Aircraft Cabin Loudspeaker

ASP-612



The ASP-612 is a lightweight surface mount loudspeaker with integrated grills for the aviation market. It is specifically designed for ease of installation and requires minimal modifications to the mounting surface. The grill is available painted or unfinished for custom color-matching.

FEATURES

- Weighs less than 12 oz. (340 g)
- Only 1.2" deep
- Does not extend behind the panel
- Complies with FAR 25.853
- TSO-C139a
- Simple mounting on panel surface requiring no panel modification
- Integrated surface mount grill
- Integral part of the Alto Aviation Entertainment System (AES)

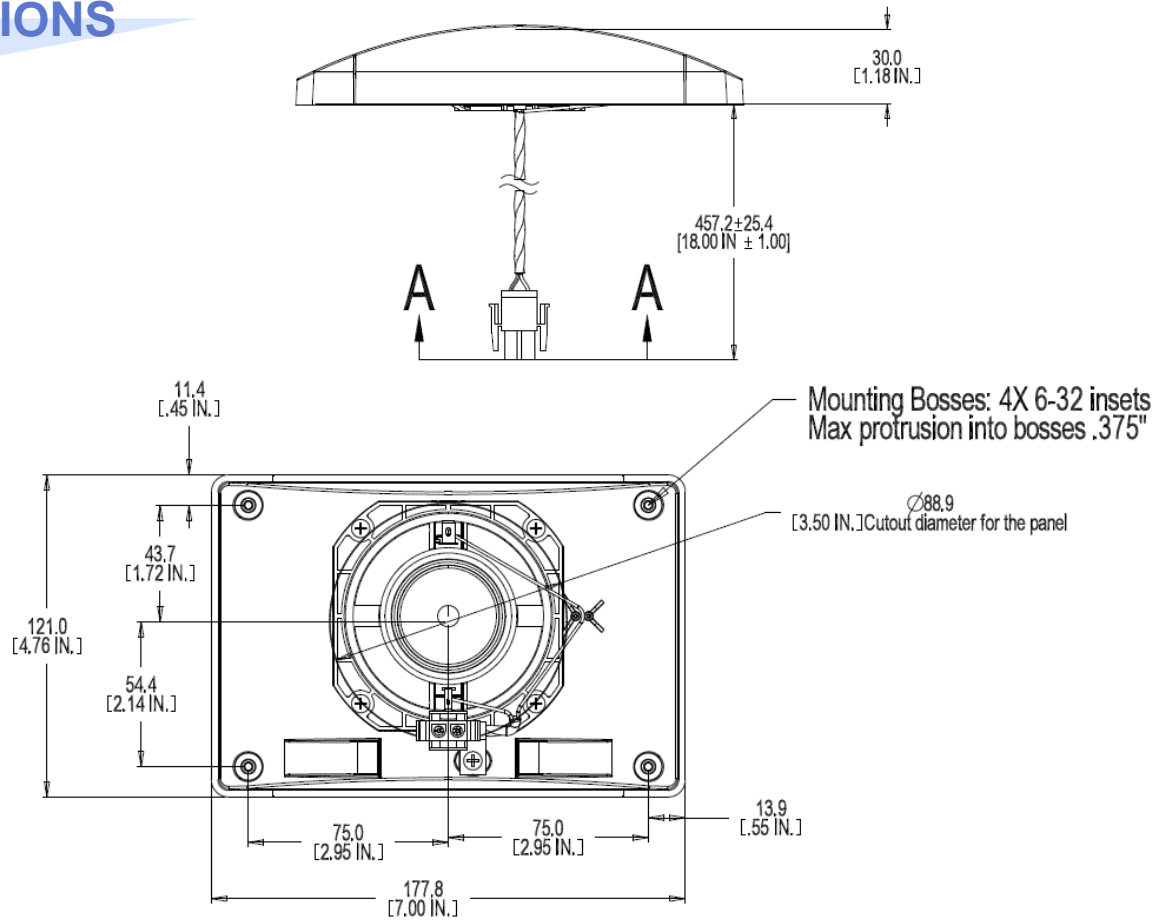
SPECIFICATIONS

- | | |
|---------------------------|--|
| • Product Code | Alto P/N 106509-612-4AXXXX (4 Ohm) (Standard connector type A) |
| • Driver | 80mm extended range |
| • Frequency Response | 200Hz - 20KHz |
| • Impedance | 4 Ohm (nominal) |
| • Continuous Power Rating | 20 Watt RMS |
| • Max. Power Rating | 40 Watt RMS |
| • Sensitivity | 91 dB SPL @ 1W/1m @ 1KHz |
| • DO-160G Env. Cat. | [A2X]CAB[(SC)(HR)]XXXXXXXXXXXXXXXX[XXXXXX]XXXX |
| • Dimensions | 7.0"W X 4.76"H X 1.2"D |
| | 177.8mm W X 121mm H X 30mm D |
| • Mating Connector | 2 pin Amp Universal MATE-N-LOK (Connector type A) |
| • Weight | <12 oz. (<340 g) |

Aircraft Cabin Loudspeaker

ASP-612

DIMENSIONS

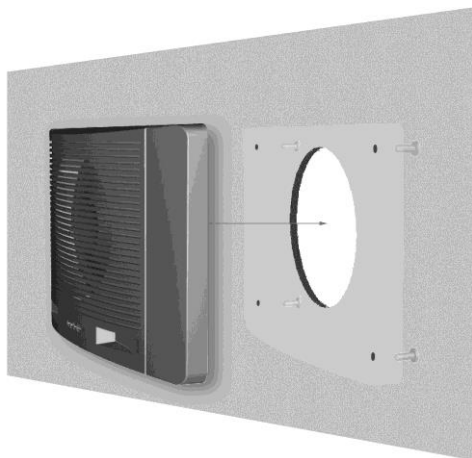


Note: Dimensions are for reference only. See DA (Delivered Assembly) drawing for exact dimensions.

If the dimension, weight, and connector specifications of this product do not meet your requirements, Alto can custom design a product for your application.

MOUNTING OPTIONS

CONNECTOR PINOUTS



Mating Connector Amp PN 350778-1

Mating Pin Amp PN 350550-1

