

The ASW-610 is a lightweight, high power, bass reflex subwoofer module designed for placement in certain DeCrane seat bases. The enclosure mounts directly to the seat base attaching firmly to the cross beams. The high excursion 4.5" driver is precisely matched to the acoustically tuned enclosure resulting in high output and lower frequency bass roll off. The motor structure of the driver is designed to be lightweight and have low magnetic leakage compared to conventional designs. This subwoofer is an integral part of the Alto Aviation Entertainment System (AES), a complete audio system in which the amplifiers and speakers are customized and matched to the acoustics of the aircraft to provide the finest audio available.

FEATURES

- Weighs only 4.2 lbs (1.9kg)
- Only 3.4" deep
- Small package allows for easy installation
- Bass reflex design allows for lower frequency bass roll off
- Integrated grills protect speakers during installation
- Aluminum enclosure with welded seams
- High efficiency driver with low magnetic leakage precisely matched to the enclosure
- Integral part of the Alto Aviation Entertainment System (AES)

SPECIFICATIONS

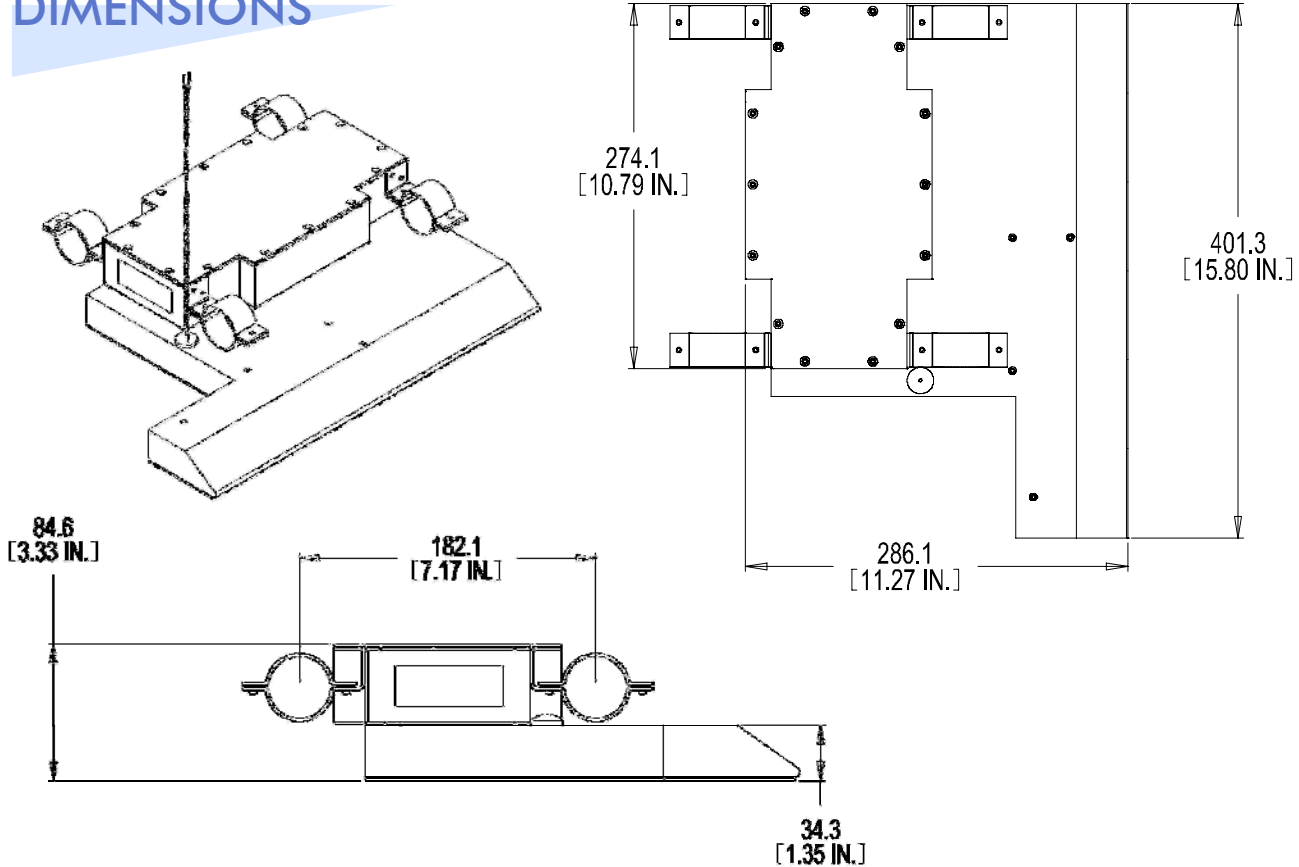
- Product Code 106155-0001 106155-0002 (mirror image enclosure)
- Frequency Response 48Hz - 200Hz
- Drivers 4.5" high excursion, low magnetic leakage, high force design
- Enclosure Bass reflex matched precisely to the drivers
Aluminum with welded seams
Integral grill for driver protection during installation
- Impedance 4 Ohm nominal
- Max. Power Rating 50 Watt RMS
- Sensitivity 87 dB SPL @ 1W/1m
- Storage Temp -40 to +80 C
- Operating Temp -20 to +60 C
- Dimensions 11.27"W X 15.8"H X 3.33"D
286.1mm W X 401.3mm H X 84.6mm D
- Mating Connector un-terminated 24" (610mm) pigtail
- Weight 4.2 lbs (1.9 kg)
- Wiring Requirements Min AWG 18 twisted pair

Aircraft Cabin Subwoofer

ASW-610



DIMENSIONS



If the dimension, weight, and connector specifications of this product do not meet your requirements, Alto can custom design a product for your application.