



The ASW-518 is a lightweight, high power, bass reflex subwoofer module designed for placement under luxury seat bases. The high excursion 5.25" driver is precisely matched to the acoustically tuned enclosure resulting in high output and lower frequency bass roll off. The motor structure of the driver is designed to be lightweight and have low magnetic leakage compared to conventional designs. This subwoofer is an integral part of the Alto Aviation Entertainment System (AES), a complete audio system in which the amplifiers and speakers are customized and matched to the acoustics of the aircraft to provide the finest audio available.

FEATURES

- Weighs only 3.96 lbs
- Only 3.5" deep
- Small package allows for easy installation
- Bass reflex design allows for lower frequency bass roll off
- Integrated grills protect speakers during installation
- Aluminum enclosure with welded seams
- High efficiency driver with low magnetic leakage precisely matched to the enclosure
- Integral part of the Alto Aviation Entertainment System (AES)

SPECIFICATIONS

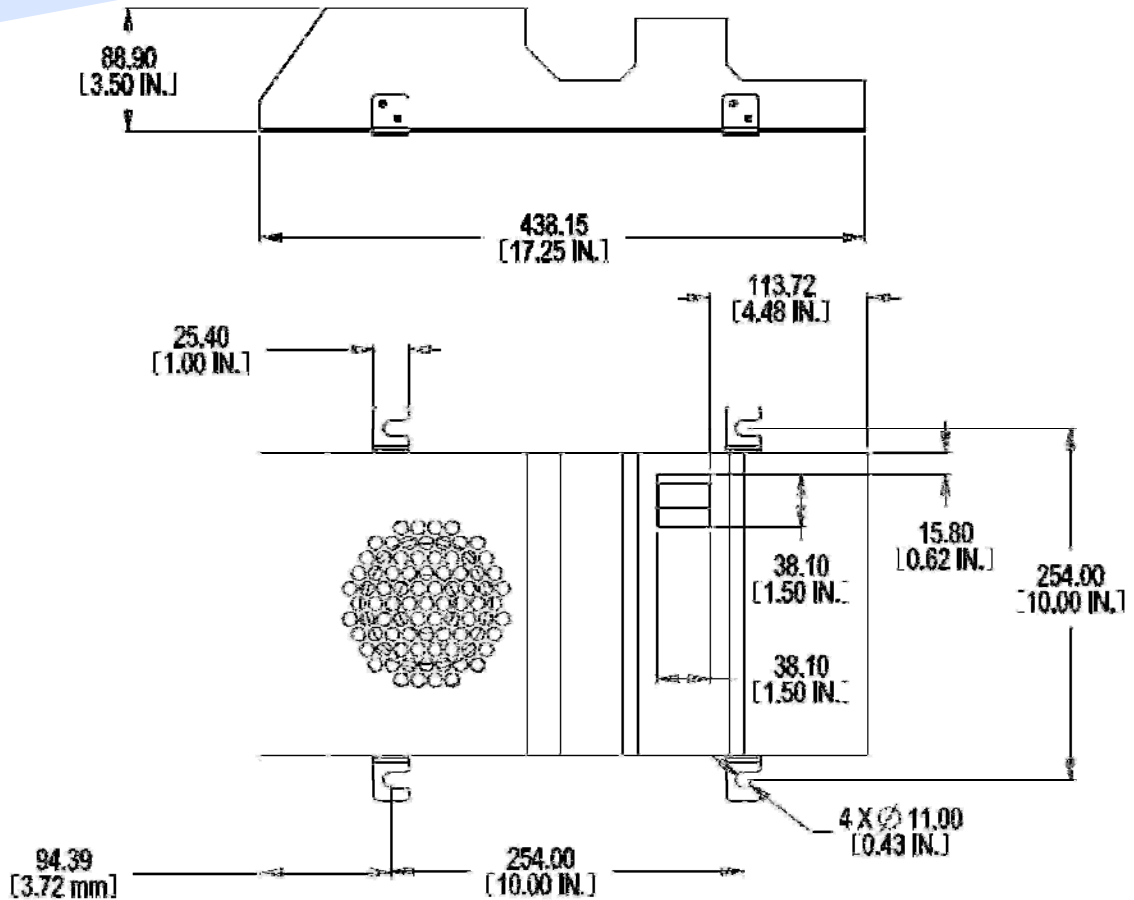
- Product Code 105990-0001 Standard Configuration
- Frequency Response 40Hz - 200Hz
- Drivers 5.25" high excursion, low magnetic leakage, high force design
- Enclosure Bass reflex matched precisely to the drivers
Aluminum with welded seams
Integral grill for driver protection during installation
- Impedance 4 Ohm nominal
- Max. Power Rating 50 Watt RMS
- Sensitivity 88 dB SPL @ 1W/1m
- Storage Temp -40 to +80 C
- Operating Temp -20 to +60 C
- Dimensions 8.6"W X 17.25"H X 3.5"D
218.6mm W X 438.2mm H X 88.9mm D
- Connector 2 pin Amp Universal MATE-N-LOK on 10" (254mm) pigtail (105990-0001)
Molex Connector (105990-0020)
- Weight 3.96 lbs (1.8 kg)
- Wiring Requirements Min AWG 18 twisted pair

Aircraft Cabin Subwoofer

ASW-518



DIMENSIONS



If the dimension, weight, and connector specifications of this product do not meet your requirements, Alto can custom design a product for your application.

CONNECTOR PINOUTS

