

The ASW-514 is a lightweight, high power, bass reflex subwoofer module designed for placement in most luxury seat bases, divans, bulkheads, sidewalls, or cabinets. The high excursion 5.25" driver is precisely matched to the acoustically tuned enclosure resulting in high output and lower frequency bass roll off. The motor structure of the driver is designed to be lightweight and have low magnetic leakage compared to conventional designs. This subwoofer is an integral part of the Alto Aviation Entertainment System (AES), a complete audio system in which the amplifiers and speakers are customized and matched to the acoustics of the aircraft to provide the finest audio available.

## FEATURES

- Weighs only 3.5 lbs
- Only 3.5" deep
- Small package allows for easy installation
- Bass reflex design allows for lower frequency bass roll off
- Shape can be customized to customer requirements
- Integrated grills protect speakers during installation
- Aluminum enclosure with welded seams
- High efficiency driver with low magnetic leakage precisely matched to the enclosure
- Integral part of the Alto Aviation Entertainment System (AES)

## SPECIFICATIONS

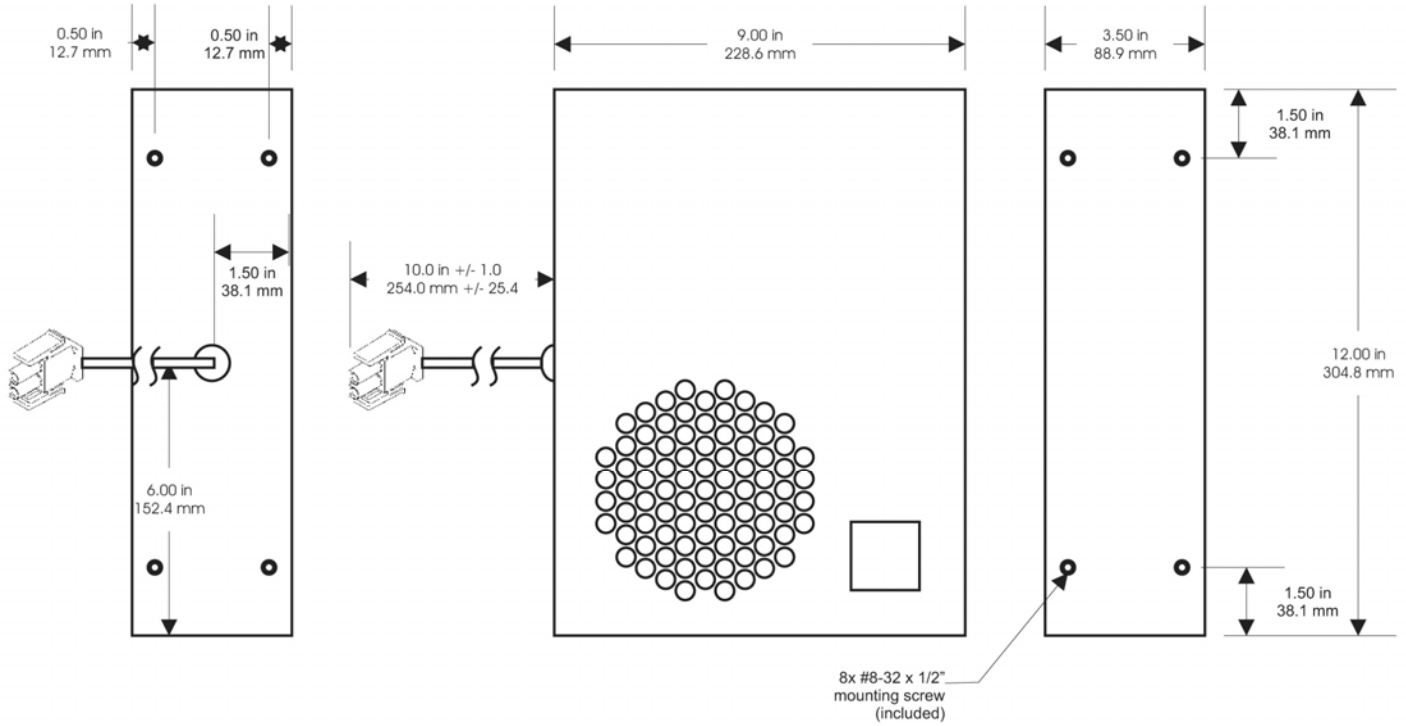
- Product Code 105480-0001 Standard Configuration
- Frequency Response 40Hz - 200Hz
- Drivers 5.25" high excursion, low magnetic leakage, high force design
- Enclosure Bass reflex matched precisely to the drivers  
Aluminum with welded seams  
Integral grill for driver protection during installation
- Impedance 4 Ohm nominal
- Max. Power Rating 50 Watt RMS
- Sensitivity 88 dB SPL @ 1W/1m
- Storage Temp -40 to +80 C
- Operating Temp -20 to +60 C
- Dimensions 9"W X 12"H X 3.5"D  
228.6mm W X 304.8mm H X 88.9mm D
- Mating Connector 2 pin Amp Universal MATE-N-LOK
- Weight 3.5 lbs (1.59 kg)
- Wiring Requirements Min AWG 18 twisted pair

# Aircraft Cabin Subwoofer

## ASW-514



### DIMENSIONS

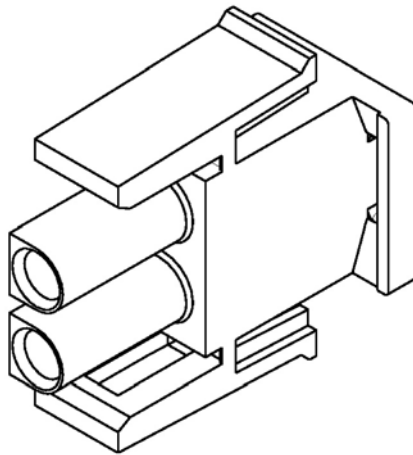


If the dimension, weight, and connector specifications of this product do not meet your requirements, Alto can custom design a product for your application.

### CONNECTOR PINOUTS

Pin 2 -

Pin 1 +



Mating Connector  
Amp PN 1-480699-0

Mating Pin  
Amp PN 350551-1