

Aircraft Page/Chime 2.0" (50mm) Loudspeaker

P-09



The P-09 is a small, high output loudspeaker for cockpit or cabin communication systems. The stud connectors on the rear of the speaker eliminate the need for soldering in order to achieve solid contact. The specialized motor structure of the speaker yields low magnetic leakage. Smooth frequency response eliminates the need for frequency equalization for superior intelligibility with voice paging.

FEATURES

- Weighs only 3.2 ounces
- Only 2" deep
- Small package allows for easy installation
- Smooth frequency response
- Superior intelligibility
- Stud connectors eliminate installation soldering

SPECIFICATIONS

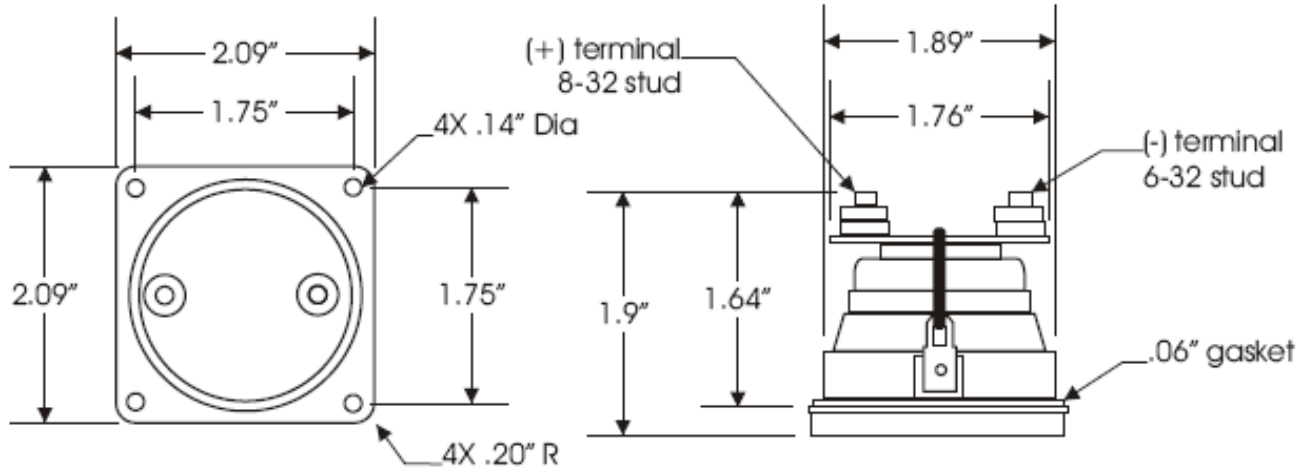
- Product Code 105290
- Frequency Response 150Hz - 20KHz
- Impedance 4 Ohm nominal
- Max. Power Rating 25 Watt RMS
- Sensitivity 88 dB SPL @ 1W/1m
- Storage Temp -40 to +80 C
- Operating Temp -20 to +60 C
- Dimensions 2.1"W X 2.1"H X 2"D
53.4mm W X 53.4mm H X 50.8mmD
- Mating Connector Studs w/ kepnuts
+ terminal = 8-32 size
- terminal = 6-32 size
- Weight 3.2 oz (90g)

Aircraft Page/Chime 2.0" (50mm) Loudspeaker

P-09



DIMENSIONS



If the dimension, weight, and connector specifications of this product do not meet your requirements, Alto can custom design a product for your application.

MOUNTING OPTIONS

