

Aircraft Chime Amplifier with 12 Tones

M1285R



The Alto M1285R chime amplifier is a TSO-C139a certified amplifier for aircraft cockpit or passenger address tone generation. The unit has 12 available tones, which can be triggered by high or low opto-isolated discrete logic inputs. The amplifier has an audio power amplifier output supporting loudspeaker loads down to 4 ohms and up to 30 watts. The amplifier has two line outputs capable of providing 40mW into 600 ohm. The unit is fully configurable via a custom software interface to support custom tone and volume settings.

FEATURES

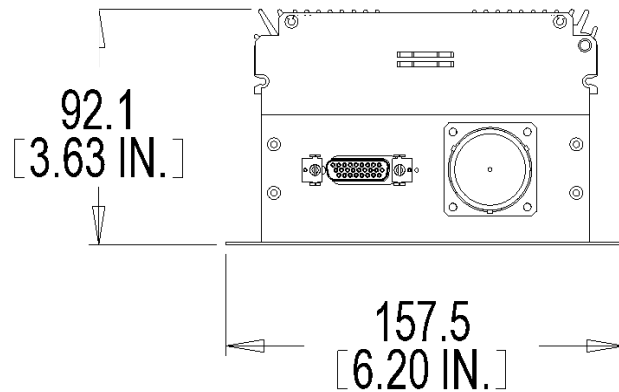
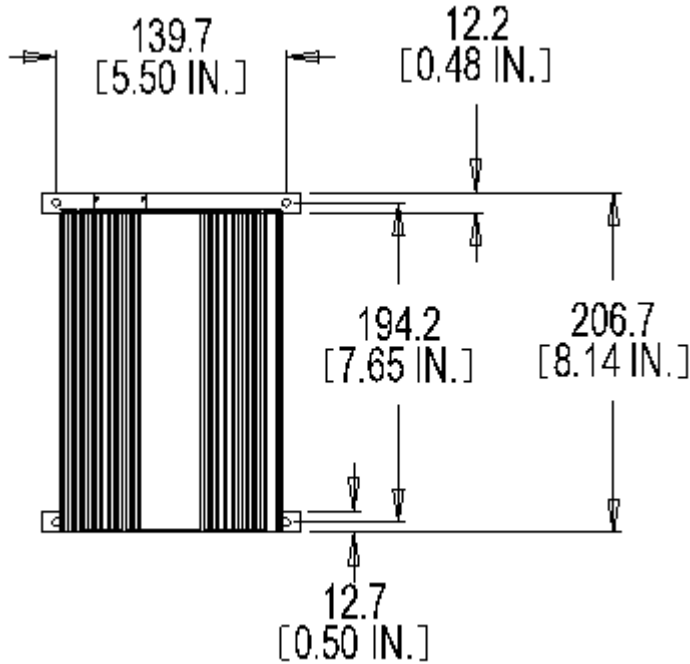
- Unit certified to TSO-C139a
- Software certified to DO-178B Level D
- 1 speaker channel, 30 Watts RMS, Class D for very high efficiency with low heat output
- 2 line output channels
- Custom software allows for easily adjustable tone and volume settings
- Operates on 28VDC power supply
- Weighs less than 2.9 lbs. (1.31kg)
- Identical mounting footprint as the original Baker M1285
- Identical main connector and pinout as the original Baker M1285
- 12 available tones, triggered by either high or low opto-isolated discrete logic inputs

SPECIFICATIONS

- Product Code 106580-1285
- Frequency Response 20Hz - 20KHz
- Power Supply 28VDC
- Operating Current 500 mA idle, 1 A nominal, 2 A maximum
- Output Power 30 Watts RMS @ 4 ohms
- Output Load Loudspeaker: 4 - 8 Ohm recommended
- Distortion <0.1% THD @ 50% rated power
<0.5% THD @ rater power
- Output Noise <400 uV A-Weighted with no input signal
- Dimensions 6.2"W x 3.63"H x 8.14"D (157.5mmW x 92.1mmH x 206.7mmD)
- Weight < 2.9 lbs / 1.31 kg
- DO-160G Env. Cat. [A2X]CAB[(SC)(HR)]EXXXXFXZ[Z(RX)]AZ[AC][TT]M[XXE3X][XXXX]XAX

M1285R

DIMENSIONS

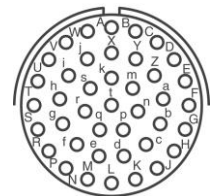


CONNECTORS

Main Connector J1

41 pin, Size 20 Circular Military Connector
Mating connector

Amphenol MS3122E-20-41P-MIL
Amphenol MS3126F-20-41S



Programming Connector J2

26 pin Female High-Density D-Sub
Mating connector

Positronic # ODD26F4B100V5x
Positronic # ODD26M10JVLX

