



The ASW-560 is a lightweight, high power, bass reflex subwoofer module designed for placement in most luxury seat bases, divans, bulkheads, sidewalls, or cabinets. The high excursion 5.25" driver is precisely matched to the acoustically tuned enclosure resulting in high output and lower frequency bass roll off. The motor structure of the driver is designed to be lightweight and have low magnetic leakage compared to conventional designs. This subwoofer is an integral part of the Alto Aviation Entertainment System (AES), a complete audio system in which the amplifiers and speakers are customized and matched to the acoustics of the aircraft to provide the finest audio available.

### FEATURES

- Weighs < 3.75 lbs
- 4.0" deep
- Bass reflex design allows for lower frequency bass roll off
- Shape can be customized to customer requirements
- TSO-C139
- Integrated grills protect speakers during installation
- Aluminum enclosure with welded seams
- High efficiency driver with low magnetic leakage precisely matched to the enclosure
- Integral part of the Alto Aviation Entertainment System (AES)

### SPECIFICATIONS

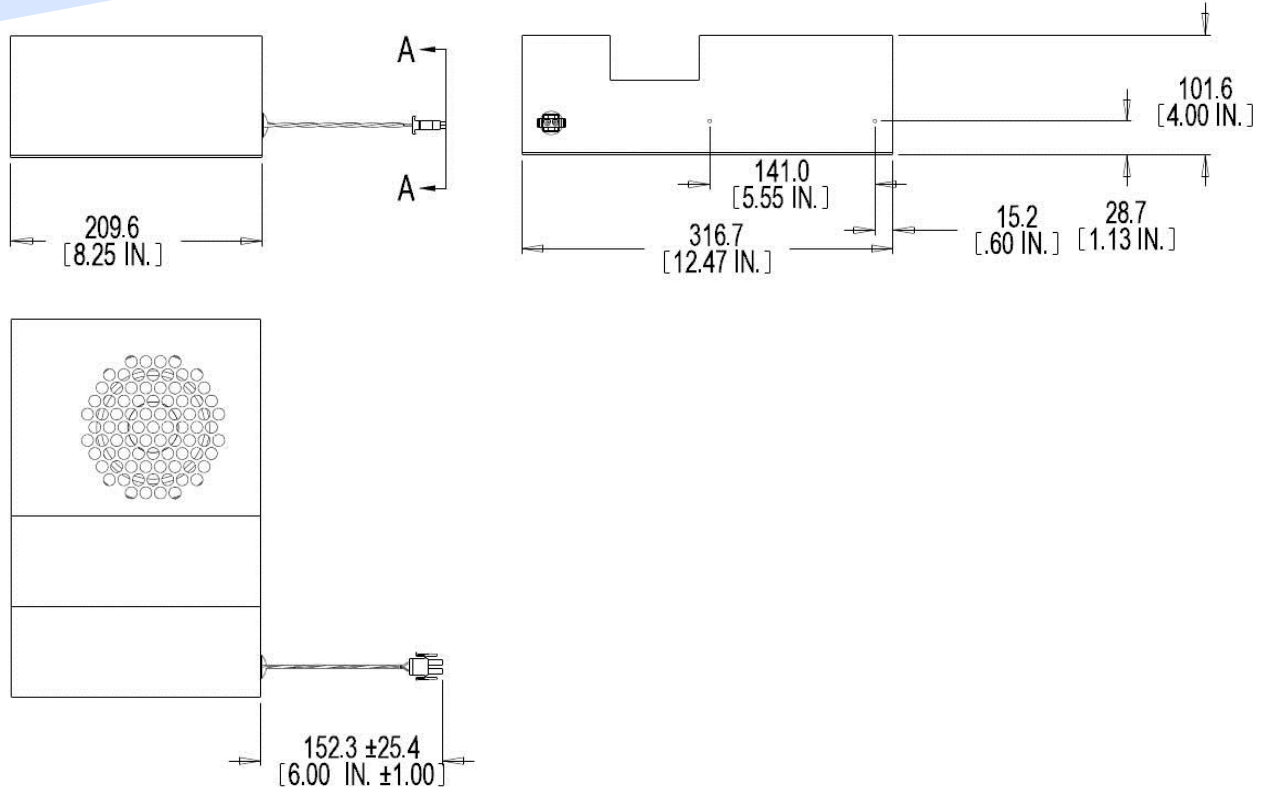
- Product Code 106511-560-4AXXXX (4 Ohm)(Standard connector type A)
- Frequency Response 40Hz - 200Hz
- Impedance 4 Ohm nominal
- Drivers 5.25" high excursion, low magnetic leakage, high force design
- Enclosure Bass reflex matched precisely to the drivers  
Aluminum with welded seams  
Integral grill for driver protection during installation
- Continuous Power Rating 25 Watt RMS
- Max. Power Rating 50 Watt RMS
- Sensitivity 88 dB SPL @ 1W/1m
- DO-160F Env. Cat [A2X]CAB[SC](HR)XXXXXXXXXXXXXXXXXXXX
- Mating Connector 2 pin Amp Universal MATE-N-LOK (Connector type A)
- Weight <3.75 lbs (1.7 kg)
- Dimensions 8.25"W X 12.47"H X 4.0"D  
209.6mm W X 316.7mm H X 101.6mm D

# Aircraft Cabin Subwoofer

## ASW-560



### DIMENSIONS

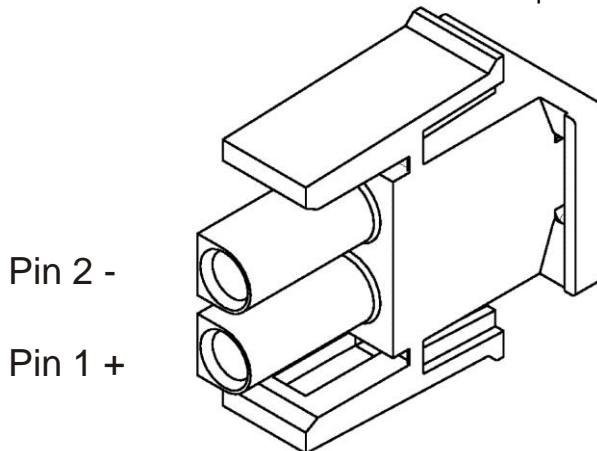


Note: Dimensions are for reference only. See DA (Delivered Assembly) drawing for exact dimensions.

If the dimension, weight, and connector specifications of this product do not meet your requirements, Alto can custom design a product for your application.

### CONNECTOR PINOUTS

Connector for p/n's 106511-560-XAXXXX, where "A" designates specific connector. Please contact Alto for additional connector options



Mating Connector  
Amp PN 350778-1

Mating Pin  
Amp PN 350550-1

Alto Aviation 86 Leominster Rd PO Box 399 Sterling, MA 01564  
Phone: 978-466-5992 Toll Free 800-814-0123 Fax 978-466-5996

[www.altoaviation.com](http://www.altoaviation.com)

Alto products are continually improved, all specifications are subject to change without notice. Information in this document is proprietary.

Copyright© Alto Technologies Corporation. All rights reserved. Doc# 106511-560-4AXXXXDS Rev 3 Page 2 of 2