

Aircraft Page/Chime Loudspeaker 2.5" (57mm)

P-12



The P-12 is a small, high output loudspeaker for cockpit or cabin communication systems. Smooth frequency response eliminates the need for frequency equalization for superior intelligibility with voice paging.

FEATURES

- Weighs <6.9 ounces
- 1.41" deep
- Integrated cable harness
- Small package allows for easy installation
- Smooth frequency response
- Superior intelligibility
- TSO-C139

SPECIFICATIONS

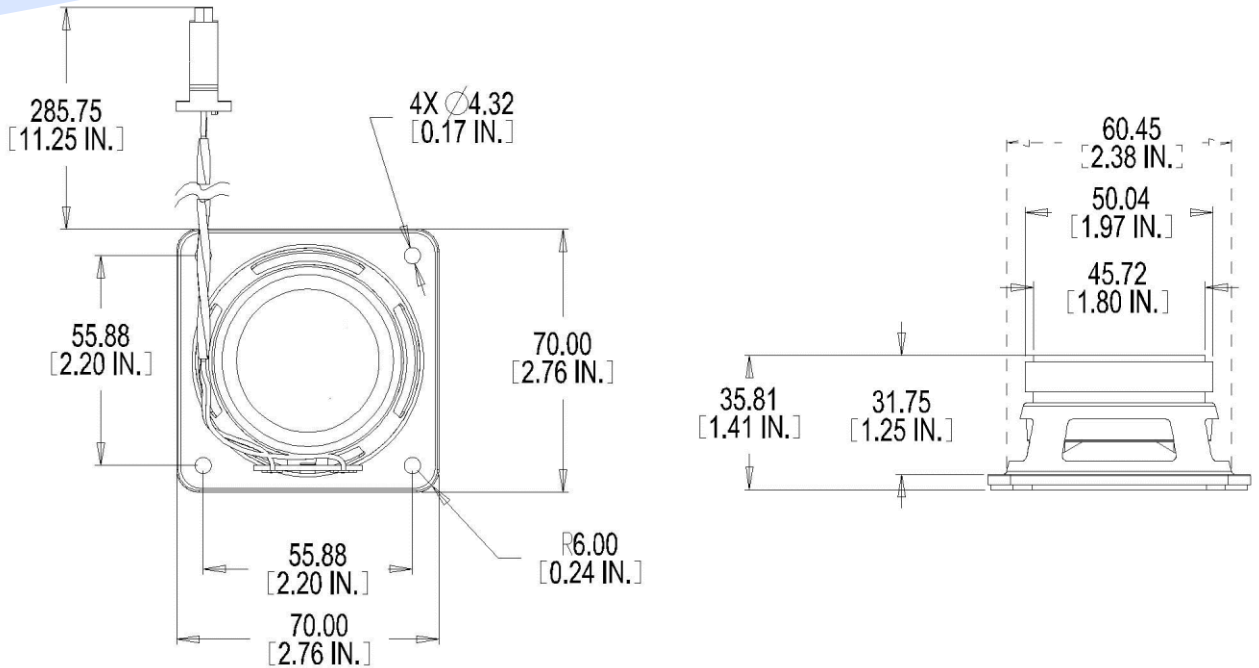
- Product Code 106509-012-4AXXXX (4 ohm) (Standard Connector type A)
106509-012-8AXXXX (8 ohm) (Standard Connector type A)
106509-012-4A0001 is a direct replacement for 106130-0004
- Frequency Response 150Hz - 20KHz
- Impedance 4 or 8 ohm nominal
- Continuous Power Rating 10 Watt RMS
- Max. Power Rating 20 Watt RMS
- Sensitivity 87 dB SPL @ 1W/1m @ 1kHz
- DO0160F Env. Cat [A2X]CAB[(SC)(HR)]XXXXXXXXXXXXXXXX[XXXXX]XXXX
- Mating Connector 2 pin Amp Universal MATE-N-LOCK on pigtail harness
- Weight <6.9 oz (<195g)
- Dimensions 2.76"W X 2.76"H X 1.41"D

Aircraft Page/Chime Loudspeaker 2.5" (57mm)



P-12

DIMENSIONS

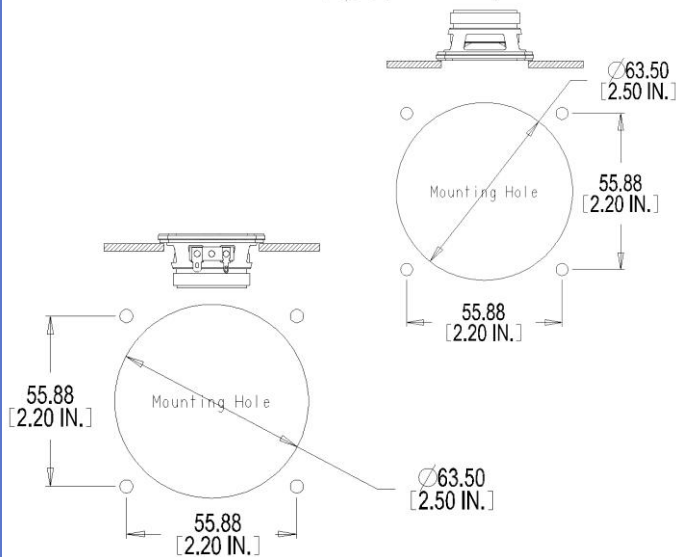


Note: Dimensions are for reference only. See DA (Delivered Assembly) drawing for exact dimensions.

If the dimension, weight, and connector specifications of this product do not meet your requirements, Alto can custom design a product for your application.

MOUNTING OPTIONS

Figure 1 - Face Mounting (Recommended)



CONNECTOR PINOUTS

Mating Connector Amp PN 350778-1

Mating Pin Amp PN 350551-1

