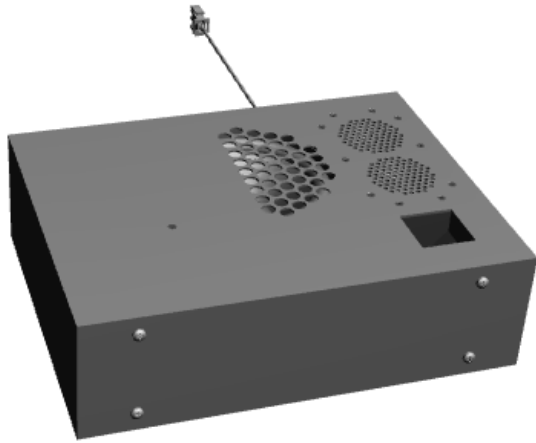


Aircraft Cabin Full Range Loudspeaker



The ASF-614 is a lightweight, full-range premium loudspeaker enclosure for the aviation market. It is specifically designed for ceiling installations in VVIP aircraft which require excellent full-range audio in smaller spaces. This two-way, bass reflex loudspeaker module includes a subwoofer and dual extended range drivers that are precisely matched to the acoustically tuned enclosure resulting in high output. The orientation of the two drivers provides for a wide sound dispersion characteristic reducing localization and an improvement in the acoustic balance in the aircraft cabin.

FEATURES

- Weighs less than 4.2 lbs (1.9 kg)
- 3.4" deep
- Dual drivers for excellent output volume
- Full range audio designed for use in ceiling installations in VVIP aircraft.
- TSO-C139
- Integrated grills protect speakers during installation
- Bass reflex aluminum enclosure with welded seams
- Integral part of the Alto Aviation Entertainment System (AES)

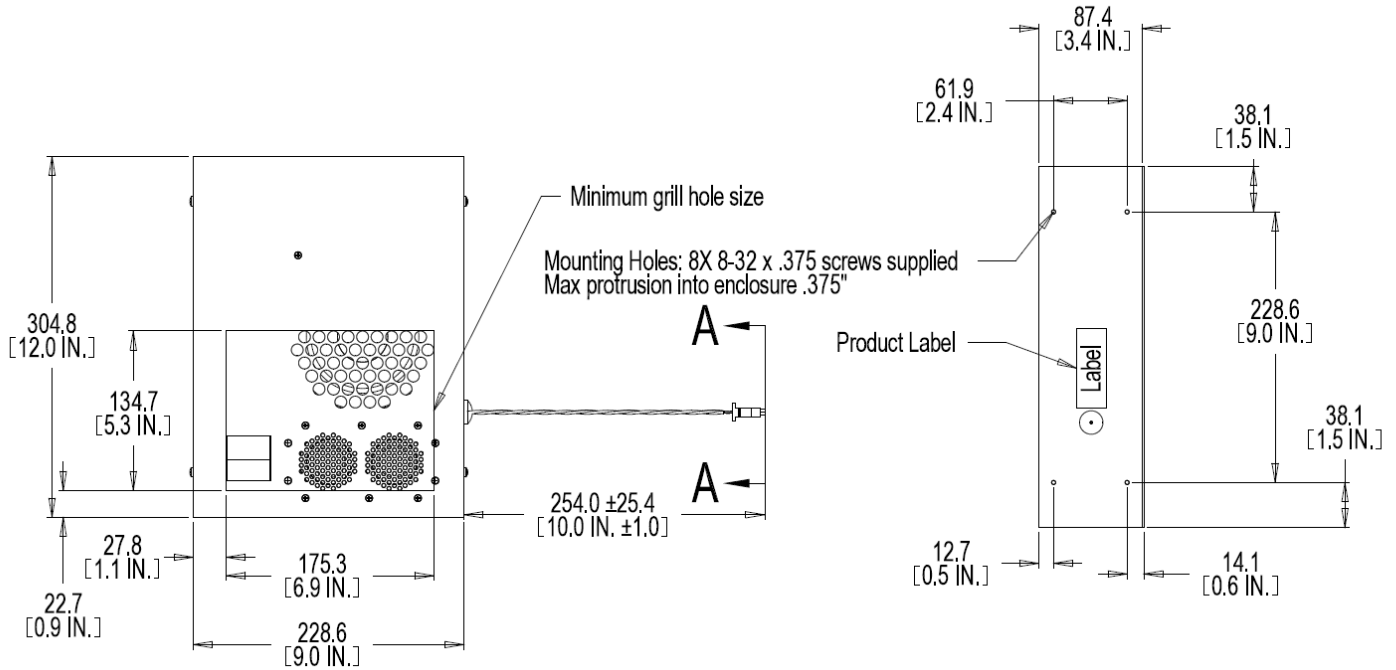
SPECIFICATIONS

- Product Code Alto P/N 106508-614-4AXXXX (4 Ohm) (Standard connector type A)
- Drivers 5.25" subwoofer (1 per enclosure)
2" mid/high drivers (2 per enclosure)
- Frequency Response 40Hz - 20KHz
- Enclosure Bass reflex matched precisely to the drivers
Aluminum with welded seams
Integral grill for driver protection during installation
- Impedance 4 Ohm (nominal)
- Continuous Power Rating 20 Watt RMS
- Max. Power Rating 40 Watt RMS
- Sensitivity 94 dB SPL @ 1W/1m
- DO-160F Env. Cat. [A2X]CAB[(SC)(HR)]XXXXXXBXXXXXX[XXXXX]XXXX
- Dimensions 9.0"W X 12.0"H X 3.4"D
228.6mm W X 304.8mm H X 87.4mm D
- Mating Connector 2 pin Amp Universal MATE-N-LOK (Connector type A)
- Weight <4.2 lbs (<1.9 kg)

Aircraft Cabin Loudspeaker

ASF-614

DIMENSIONS

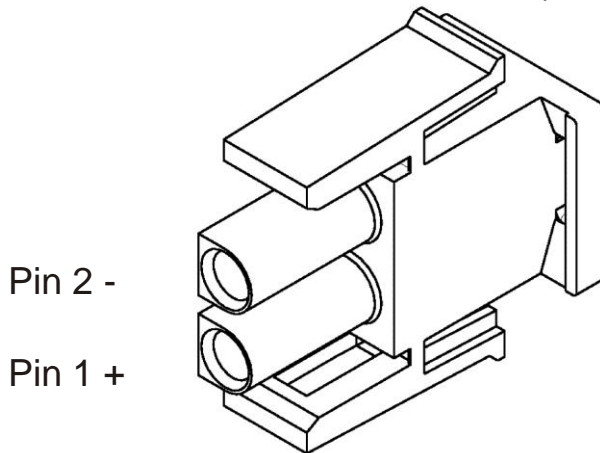


Note: Dimensions are for reference only. See DA (Delivered Assembly) drawing for exact dimensions.

If the dimension, weight, and connector specifications of this product do not meet your requirements, Alto can custom design a product for your application.

CONNECTOR PINOUTS

Connector for p/n's 106508-614-XAXXXX where "A" designates specific connector. Please contact Alto for additional connector options



Mating Connector
Amp PN 350778-1

Mating Pin
Amp PN 350550-1

Alto Aviation 86 Leominster Rd PO Box 399 Sterling, MA 01564
Phone: 978-466-5992 Toll Free 800-814-0123 Fax 978-466-5996

www.altoaviation.com

Alto products are continually improved, all specifications are subject to change without notice. Information in this document is proprietary.

Copyright© Alto Technologies Corporation. All rights reserved# 106508-614-4AXXXXDS Rev 2 Page 2 of 2