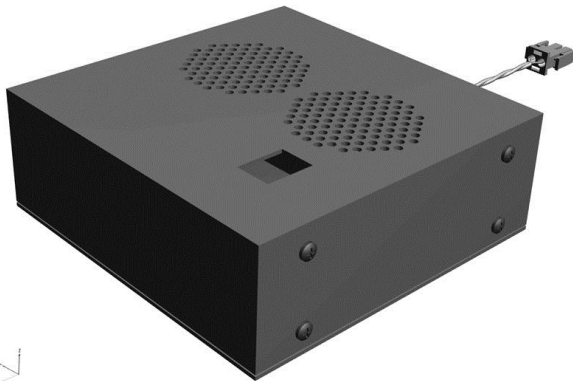


Aircraft Cabin Full Range Loudspeaker



The ASF-609 is a lightweight, full-range loudspeaker enclosure specifically designed for ceiling installations in VVIP aircraft which require excellent full-range audio in smaller spaces. This dual driver, bass reflex loudspeaker module has two extended range drivers that are precisely matched to the acoustically tuned enclosure resulting in high output. The orientation of the two drivers provides for a wide sound dispersion characteristic reducing localization and an improvement in the acoustic balance in the aircraft cabin.

FEATURES

- Weighs less than 2.0 lbs
- 2.5" deep
- Dual drivers for excellent output volume
- Full range audio designed for use in ceiling installations in VVIP aircraft.
- TSO-C139
- Integrated grills protect speakers during installation
- Bass reflex aluminum enclosure with welded seams
- Integral part of the Alto Aviation Entertainment System (AES)

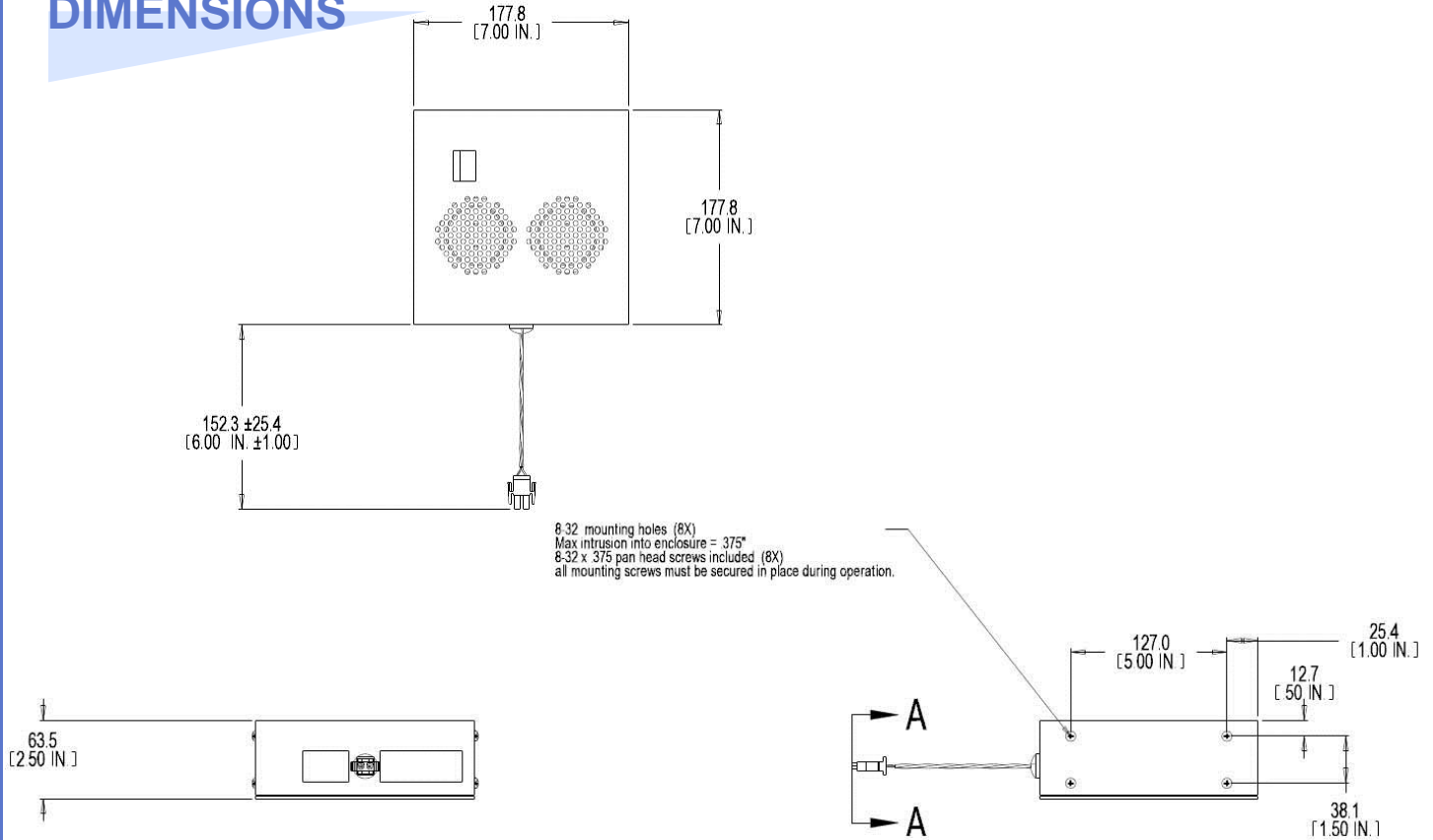
SPECIFICATIONS

- Product Code Alto P/N 106508-609-4AXXXX (4 Ohm) (Standard connector type A)
Alto P/N 106508-609-8AXXXX (8 Ohm) (Standard connector type A)
- Drivers 2.5" extended range
2 per enclosure
- Frequency Response 80Hz - 20KHz
- Enclosure Bass reflex matched precisely to the drivers
Aluminum with welded seams
Integral grill for driver protection during installation
- Impedance 4 Ohm (nominal) or 8 Ohm
- Continuous Power Rating 20 Watt RMS
- Max. Power Rating 40 Watt RMS
- Sensitivity 94 dB SPL @ 1W/1m
- DO-160F Env. Cat. [A2X]CAB[(SC)(HR)]XXXXXXBXXXXXX[XXXXX]XXXX
- Dimensions 7.0"W X 7.0"H X 2.5"D
177.8mm W X 177.8mm H X 63.5mm D
- Mating Connector 2 pin Amp Universal MATE-N-LOK (Connector type A)
- Weight <2.0 lbs (<.9 kg)

Aircraft Cabin Full Range Loudspeaker



DIMENSIONS

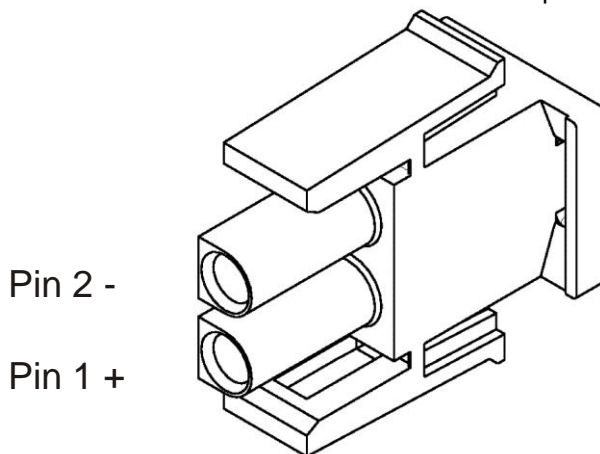


Note: Dimensions are for reference only. See DA (Delivered Assembly) drawing for exact dimensions.

If the dimension, weight, and connector specifications of this product do not meet your requirements, Alto can custom design a product for your application.

CONNECTOR PINOUTS

Connector for p/n's 106508-609-XAXXXX where "A" designates specific connector. Please contact Alto for additional connector options



Mating Connector
 Amp PN 350778-1

Mating Pin
 Amp PN 350550-1

Alto Aviation 86 Leominster Rd PO Box 399 Sterling, MA 01564
 Phone: 978-466-5992 Toll Free 800-814-0123 Fax 978-466-5996

www.altoaviation.com

Alto products are continually improved, all specifications are subject to change without notice. Information in this document is proprietary.