

The ASP-312 is a bass reflex loudspeaker module with a single high excursion driver that is precisely matched to the acoustically tuned enclosure resulting in high output. It weighs less than 8 oz. The motor structure of the driver is designed to have low magnetic leakage compared to conventional designs. The orientation of the driver provides for a wide sound dispersion characteristic reducing localization and an improvement in the acoustic balance in the aircraft cabin. The small dimensions of the unit simplify installation in the overhead panels, requiring less width and depth behind the panel, and a smaller grill opening into the cabin.

FEATURES

- Weighs less than 8 ounces
- 1.5" deep
- Small package allows for easy installation
- Wide dispersion pattern to reduce near-speaker localization while providing even sound throughout the cabin
- TSO-C139
- Integrated grills protect speakers during installation
- Bass reflex aluminum enclosure with welded seams
- Integral part of the Alto Aviation Entertainment System (AES)

SPECIFICATIONS

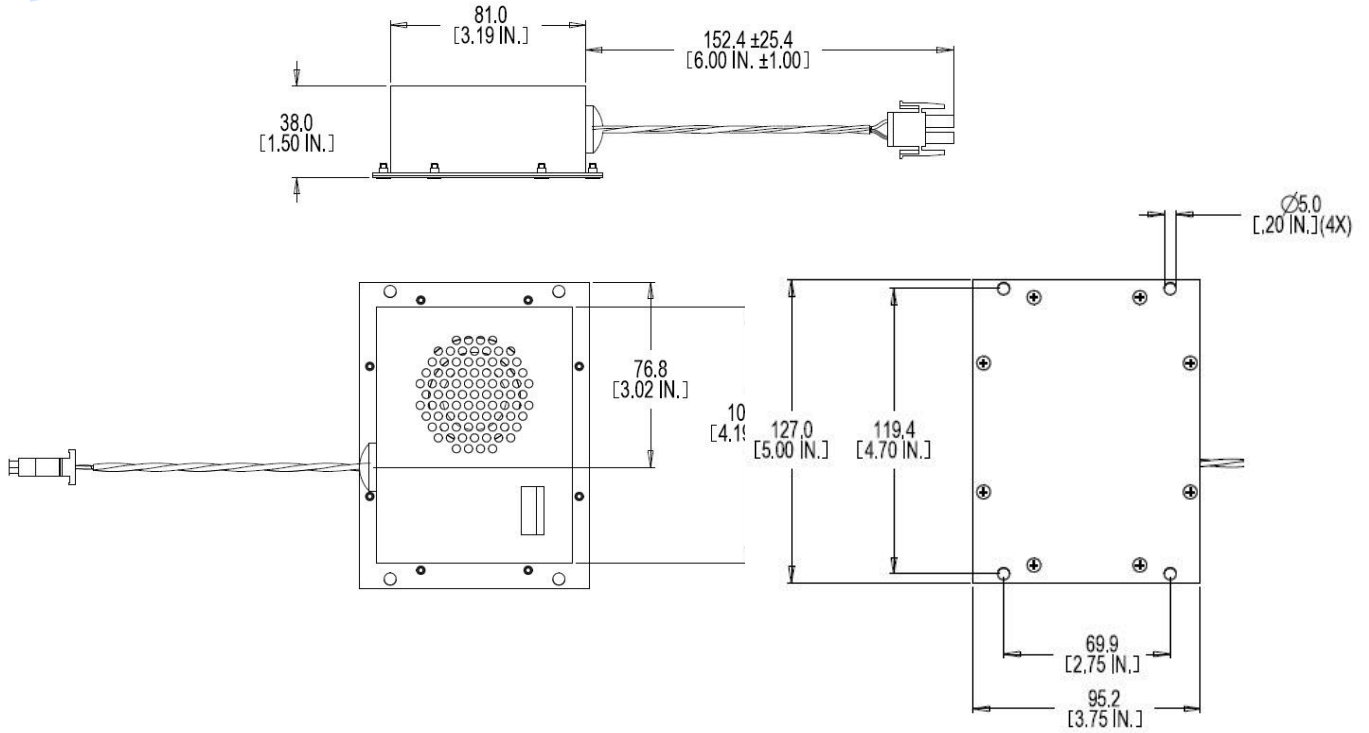
- Product Code 106508-312-4AXXXX (4 Ohm)(Standard connector type A)
- Frequency Response 150Hz - 20KHz
- Impedance 8 Ohm nominal
- Drivers 2" high excursion, low magnetic leakage
1 per enclosure
- Enclosure Bass reflex matched precisely to the drivers, Aluminum with welded seams, Integral grill for driver protection during installation
- Continuous Power Rating 10 Watt RMS
- Max. Power Rating 20 Watt RMS
- Sensitivity 89 dB SPL @ 1W/1m @ 1kHz
- DO-160F Env. Cat [A2X]CAB[(SC)(HR)]XXXXXXBXXXXXX[XXXXX]XXXX
- Mating Connector 2 pin Amp Universal MATE-N-LOK (Connector type A)
- Weight <8 oz (224 g)
- Dimensions 3.75"W X 5"H X 1.5"D
95.2mm W X 127mm H X 38mm D

Aircraft Cabin Loudspeaker



ASP-312

DIMENSIONS

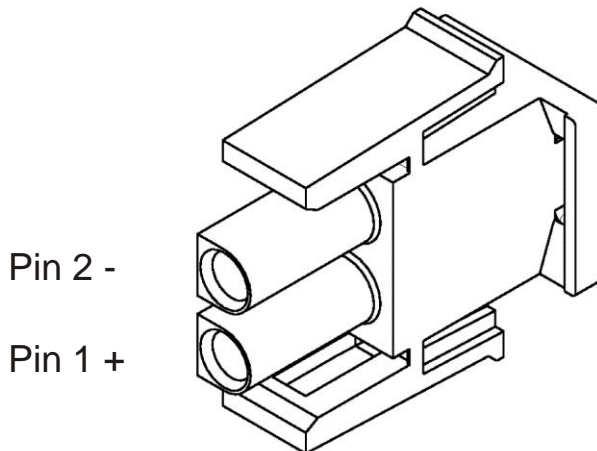


Note: Dimensions are for reference only. See DA (Delivered Assembly) drawing for exact dimensions.

If the dimension, weight, and connector specifications of this product do not meet your requirements, Alto can custom design a product for your application.

CONNECTOR PINOUTS

Connector for p/n's 106508-312-XAXXXX, where "A" designates specific connector. Please contact Alto for additional connector options



Mating Connector
Amp PN 350778-1

Mating Pin
Amp PN 350550-1

Alto Aviation 86 Leominster Rd PO Box 399 Sterling, MA 01564
Phone: 978-466-5992 Toll Free 800-814-0123 Fax 978-466-5996

www.altoaviation.com

Alto products are continually improved, all specifications are subject to change without notice. Information in this document is proprietary.

Copyright© Alto Technologies Corporation. All rights reserved. Doc# 106508-312-8AXXXXDS Rev 2 Page 2 of 2