

The P-50 Loudspeaker is a light weight speaker enclosure. It is intended as a passenger address loudspeaker. The P-50 provides passenger address audio and entertainment audio. The motor structure of the drivers is designed to have low magnetic leakage compared to conventional designs. The small dimensions of the unit simplify installation in the overhead panels, requiring less width and depth behind the panel, and a smaller grill opening into the cabin.

FEATURES

- Weighs less than 12 ounces
- 1.5" deep
- Small package allows for easy installation
- Wide dispersion pattern to reduce near-speaker localization while providing even sound throughout the cabin
- TSO-C139
- Integrated grills protect speakers during installation
- Aluminum enclosure with welded seams
- Integral part of the Alto Aviation Entertainment System (AES)

SPECIFICATIONS

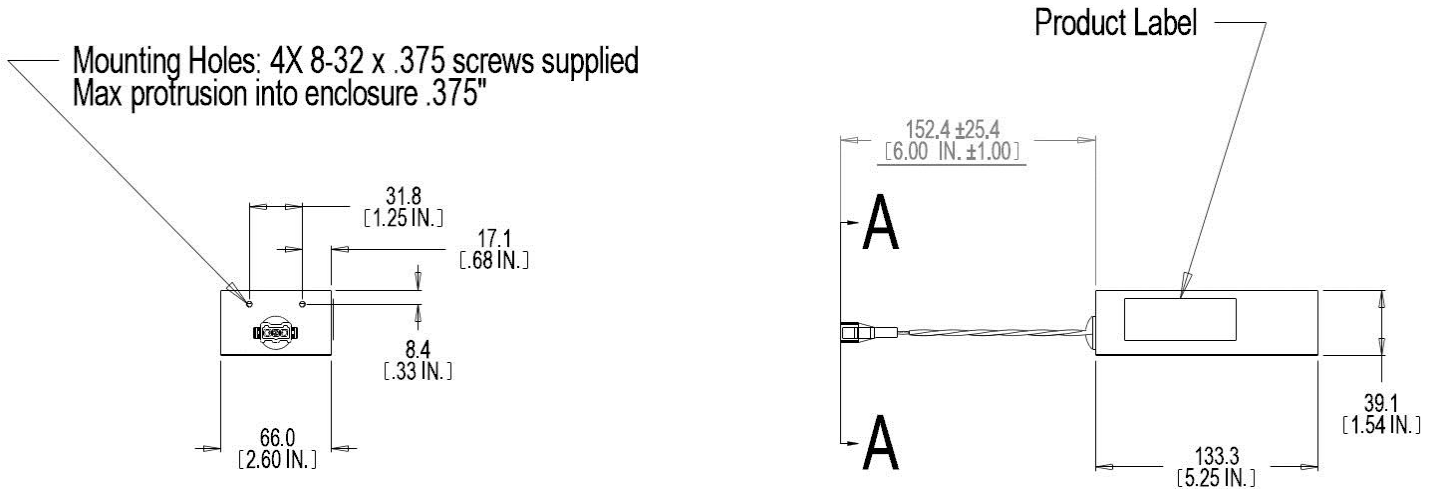
- Product Code 106508-050-4D7007 (4 Ohm)(DT Connector)
- Frequency Response 150Hz - 20KHz
- Impedance 4 or 8 Ohm nominal, depending on application
- Drivers 2" high excursion, low magnetic leakage
2 per enclosure
- Enclosure Aluminum with welded seams,
Integral grill for driver protection during installation
- Continuous Power Rating 20 Watt RMS
- Max. Power Rating 40 Watt RMS
- Sensitivity 90 dB SPL @ 1W/1m @ 1kHz
- DO-160F Env. Cat [A2X]CAB[(SC)(HR)]XXXXXXBXXXXXX[XXXXX]XXXX
- Mating Connector See Connector Pinouts
- Weight <12 oz (341 g)
- Dimensions 2.6"W X 5.25"H X 1.54"D
66mm W X 133.3mm H X 39.1mm D

Aircraft Cabin Loudspeaker

P-50



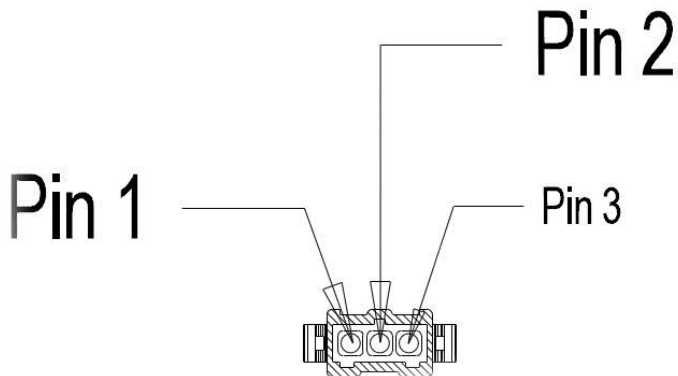
DIMENSIONS



Note: Dimensions are for reference only. See DA (Delivered Assembly) drawing for exact dimensions.

If the dimension, weight, and connector specifications of this product do not meet your requirements, Alto can custom design a product for your application.

CONNECTOR PINOUTS



Pin	Description
1	NC
2	Audio Input +
3	Audio Input -

Mating Connector: AMP 207360-1
Mating Pin: AMP 1-66101-9

Alto Aviation 86 Leominster Rd PO Box 399 Sterling, MA 01564
Phone: 978-466-5992 Toll Free 800-814-0123 Fax 978-466-5996

www.altoaviation.com

Alto products are continually improved, all specifications are subject to change without notice. Information in this document is proprietary.

Copyright© Alto Technologies Corporation. All rights reserved. Doc# 106508-050=4D7007DS Rev 3 Page 2 of 2