



The Alto DA-230DC is a TSO-C139 certified 8 X 40W / channel, Class D audio amplifier with integrated Digital Signal Processing (DSP). Designed to be used with most cabin management systems and paired with Alto speakers and subwoofers, the amplifier will deliver a full spectrum of sound with unprecedented dynamics and clarity. DSP Equalization provides optimized sound for each specific aircraft interior. Each channel contains a distortion limiter circuit which allows for full power operation without harsh distortion. The low weight allows for convenient mounting and flexible system configuration. Optional Alto nVELOP™ Digital Surround Sound is available to further enhance the cabin listening experience.

FEATURES

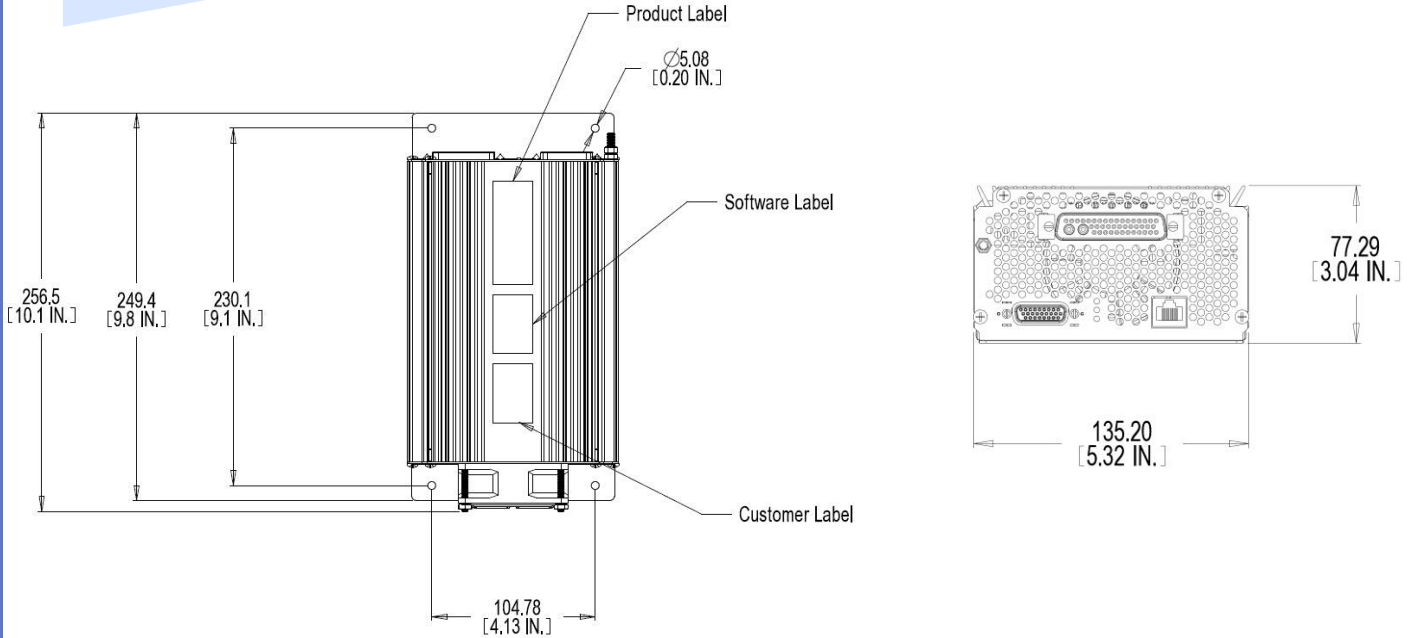
- Unit certified to TSO-C139
- 8 channels, 40 Watts RMS per channel Class D for very high efficiency with low heat output
- Integral EQ customized for each aircraft interior
- Advanced DSP including dynamic bass management, signal compression, spatial enhancement, Sinewatch™ distortion elimination
- Supports 2 independent audio zones
- Operates on +28VDC power supply
- Weighs under 3.5 Lbs.
- Small enclosure with forced air cooling for flexible mounting

SPECIFICATIONS

- Product Code 106500-0230
- Frequency Response 20Hz - 20KHz custom contoured to specific aircraft cabin
- Power Supply +28VDC
- Operating Current Entertainment: 1 A idle, 3 A nominal, 15 A maximum
- Audio Input Entertainment: 4 channels of differential Analog
- Output Power 40 Watts RMS/channel (320W) total
- Output Load 4 - 8 Ohm recommended, 3 ohm minimum, Average impedance of all 8 channels must be >3.5 ohms
- Distortion <0.1% THD @ 50% rated power, maximum 3% (distortion limiter active)
- Equalizers Custom designed EQ/crossovers matched to aircraft cabin utilizing loudspeakers from the Alto Aviation Entertainment System (AES) catalog
- Dimensions 5.4"W x 3.0"H x 10.1"D (138mmW x 76mmH x 257mmD)
- Weight <3.4 lbs / 1.54 kg
- DO-160F Env. Cat. [A2X]CAB[(SC)(HR)]EXXXFXZ[Z(RX)]AZ[AC][TT]M[XXE3X][XXXX]XAX

DA-230DC

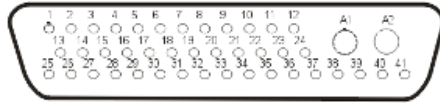
DIMENSIONS



CONNECTORS

J1 MAIN Connector

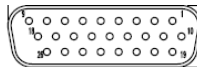
43W2 Combo D Male
Mating connector



Positronic # CBD43W2M55B100V5X
Positronic # CBC43W2S110ANVL0/AA

J2 AUX Connector

26 pin D-sub Female
Mating connector



Positronic # ODD26F4B100V5X
Positronic # DD26M10ANVL0/AA