



The Alto DA-200PAC is a TSO-C139 certified 8 X 40W / channel, Class D audio amplifier with integrated Digital Signal Processing (DSP) and Public Address Page/Chime Amplifier. Designed to be used with most cabin management systems and paired with Alto speakers and subwoofers, the amplifier will deliver a full spectrum of sound with unprecedented dynamics and clarity. DSP Equalization provides optimized sound for each specific aircraft interior. Each channel contains a distortion limiter circuit which allows for full power operation without harsh distortion. The low weight allows for convenient mounting and flexible system configuration. Optional Alto nVELOP™ Digital Surround Sound is available to further enhance the cabin listening experience.

## FEATURES

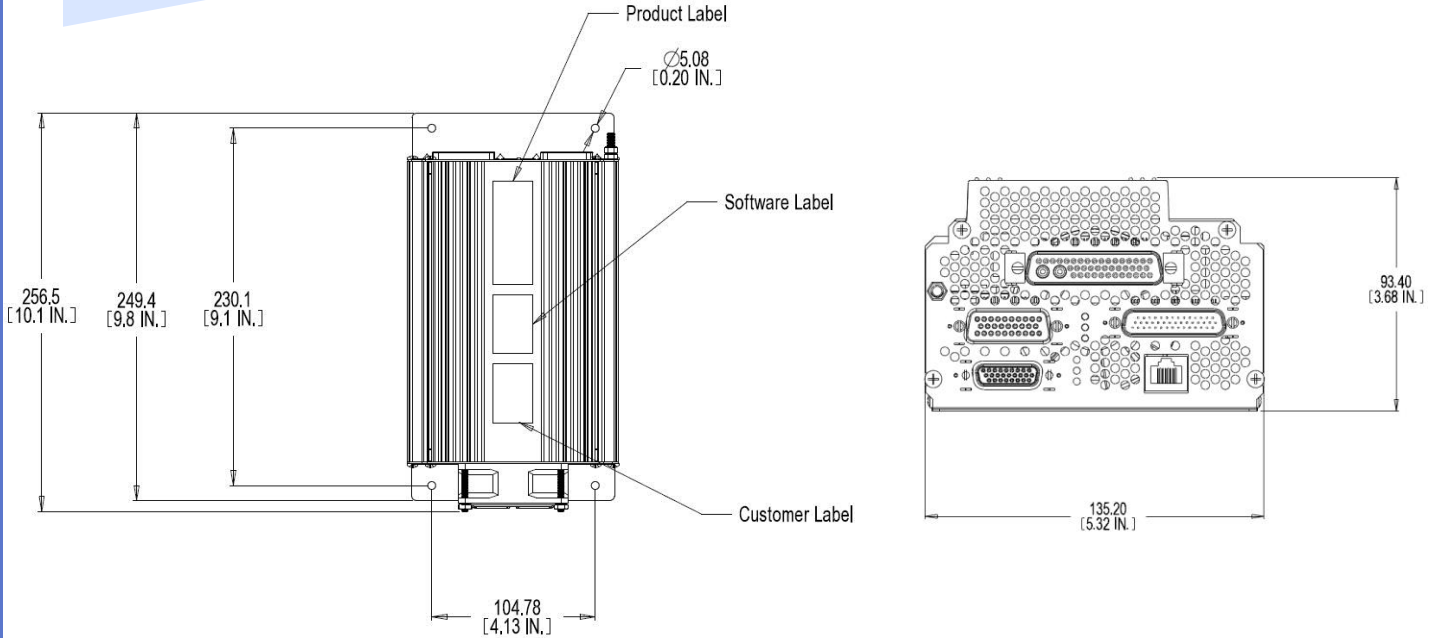
- Unit certified to TSO-C139
- 8 channels, 40 Watts RMS per channel Class D for very high efficiency with low heat output
- Integral EQ customized for each aircraft interior
- Advanced DSP including dynamic bass management, signal compression, spatial enhancement, Sinewatch™ distortion elimination
- Integrated PA module shares loudspeakers with Entertainment
- Supports 2 independent audio zones
- Operates on 115VAC power supply
- Weighs under 4 Lbs.
- Small enclosure with forced air cooling for flexible mounting

## SPECIFICATIONS

- Product Code 106500-0200
- Frequency Response 20Hz - 20KHz custom contoured to specific aircraft cabin
- Power Supply 115VAC, PA module powered from +28V essential bus
- Operating Current Entertainment: 1 A idle, 3 A nominal, 15 A maximum  
PA: 0.5 A idle, 1.5 A nominal, 4 A maximum
- Audio Input Entertainment: 4 channels of differential Analog  
PA: 3 X microphone, 2 X Aux differential inputs
- Output Power 40 Watts RMS/channel (320W) total
- Output Load 4 - 8 Ohm recommended, 3 ohm minimum, Average impedance of all 8 channels must be >3.5 ohms
- Distortion <0.1% THD @ 50% rated power, maximum 3% (distortion limiter active)
- Equalizers Custom designed EQ/crossovers matched to aircraft cabin utilizing loudspeakers from the Alto Aviation Entertainment System (AES) catalog
- Dimensions 5.4"W x 3.7"H x 10.1"D (138mmW x 94mmH x 257mmD)
- Weight < 4.0 lbs / 1.81 kg
- DO0160F Env. Cat. Main AC Amp [A2X]CAB[(SC)(HR)]EXXXFXZA(CF)[XXXI]AR(CF)ACTTM[XXE3X][XXXX]XAX
- DO-160F Env. Cat. PA [A2X]CAB[(SC)(HR)]EXXXFXZ[Z(RX)]AZ[AC][TT]M[XXE3X][XXXX]XAX

# DA-200PAC

## DIMENSIONS



## CONNECTORS

### J1 MAIN Connector

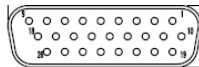
43W2 Combo D Male Mating connector



Positronic # CBD43W2M55B100V5X  
Positronic # CBC43W2S110ANVL0/AA

### J2 AUX Connector

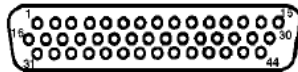
26 pin D-sub Female Mating connector



Positronic # ODD26F4B100V5X  
Positronic # DD26M10ANVL0/AA

### J4 PA System Connector A

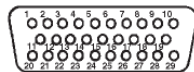
44 pin Male Hi-Density D-Sub Mating connector



Positronic # ODD44M5B100V5X  
Positronic # DD44S10ANVL0/AA

### J5 PA System Connector B

29 pin Male Std-Density D-Sub Mating connector



Positronic # MD29M5B100V5X  
Positronic # RD29S10ANVL0/AA-1738.0