

Aircraft Cabin Audio Amplifier w/Custom EQ

AA-626AC



The AA-626AC is a 6 channel, 240 Watt RMS audio amplifier with integrated custom EQ for specific aircraft types. Utilizing proprietary acoustic measurement and design software, the aircraft interior is acoustically mapped and circuits are designed so that the effects of the interior are neutralized allowing the music to be heard as the artist intended. Designed to be used in conjunction with Alto speakers and subwoofers, the amplifier will deliver 40 Watts per channel. Each channel contains a distortion limiter circuit which allows for full power operation without harsh distortion. The low weight (4.4 lbs) and small size (5.3"W x 4.0H x 10.1"D) allow for convenient mounting and flexible system configuration. Powered from Aircraft 115VAC 400 Hz supply.

FEATURES

- Weighs only 4.4 lbs
- Small package 5.3"W x 4.0"H x 10.1"D
- Integral EQ customized for each aircraft type
- Proprietary SineWatch™ circuitry prevents audible distortion at full power without affecting audio signal integrity and helps overcome aircraft noise.
- 6 channels, 40 Watts RMS per channel
- Operates on 115 VAC 400 Hz power supply
- Gain adjustable in channel pairs to balance bass and mid/high frequency speakers
- Aluminum case w/ forced air cooling from end mounted fan
- Integral part of the Alto Aviation Entertainment System (AES)

SPECIFICATIONS

- Product Code 105680-XXXX -XXXX describes the EQ version/aircraft type
- Frequency Response 20Hz - 20KHz
- Power Supply AC 115V, 400Hz
- Operating Current 1 A nominal (varies with volume setting and music content)
5 A maximum (7.5 A breaker recommended)
- Idle Current (no signal) 200 mA
- Input Differential, 10K ohm input impedance
- Input Level 600 mV RMS to 6 V RMS, Nominal 2V RMS
- Output Power 40 Watts RMS/channel (240W) total
- Output Load 4 - 8 Ohm recommended, 3 ohm minimum,
Average impedance of all 6 channels must be >3.5 ohms
- Distortion <0.1% THD @ 50% rated power, maximum 3% (distortion limiter active)
- Output Noise (no signal) < 400 uV A-Wgt
- Gain Adjustable in channel pairs, 0 to +18 dB in 2dB steps
- Equalizers Custom designed EQ/crossovers matched to aircraft type utilizing speakers from the Alto Aviation Entertainment System (AES)
- Connector 43W2 Combo D Male
- Dimensions 5.3" W (136mm) X 4.0" H (103mm) X 10.1"D (257mm)
- Weight 4.4 lbs (2.1 kg)

Alto Aviation 86 Leominster Rd PO Box 399 Sterling, MA 01564
Phone: 978-466-5992 Toll Free 800-814-0123 Fax 978-466-5996

www.altoaviation.com

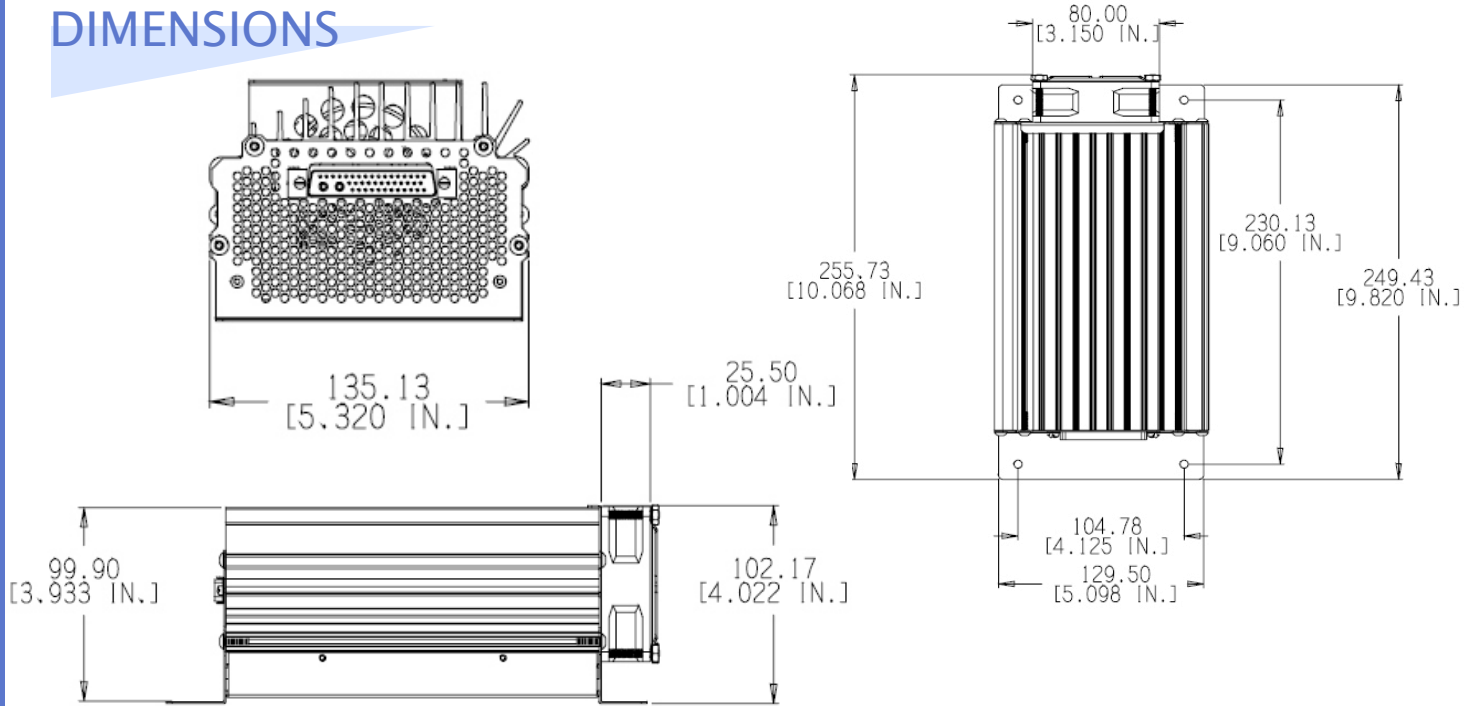
Alto products are continually improved, all specifications are subject to change without notice. Information in this document is proprietary. Copyright© Alto Technologies Corporation. All rights reserved. Doc# 105680DS Rev 6 Page 1 of 2

Aircraft Cabin Audio Amplifier w/Custom EQ

AA-626AC



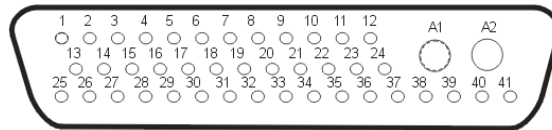
DIMENSIONS



If the dimension, weight, and connector specifications of this product do not meet your requirements, Alto can custom design a product for your application.

CONNECTOR PINOUTS

43 Pin Combo-D D-sub Male connector
(Positronic # CBD43W2M55B1000X)



PIN#	FUNCTION	PIN#	FUNCTION
1	Zone 1 Left Mid/High Speaker Out+	23	N/C
2	Zone 1 Left Mid/High Speaker Out-	24	N/C
3	Zone 1 Right Mid/High Speaker Out+	25	N/C
4	Zone 1 Right Mid/High Speaker Out-	26	N/C
5	Zone 2 Left Mid/High Speaker Out+	27	N/C
6	Zone 2 Left Mid/High Speaker Out-	28	N/C
7	Zone 2 Right Mid/High Speaker Out+	29	N/C
8	Zone 2 Right Mid/High Speaker Out-	30	N/C
9	Zone 1 Subwoofer Output+	31	N/C
10	Zone 1 Subwoofer Output-	32	N/C
11	Zone 2 Subwoofer Output+	33	N/C
12	Zone 2 Subwoofer Output-	34	N/C
13	Zone 1 Left Input+	35	N/C
14	Zone 1 Left Input-	36	DC Chassis Ground
15	Zone 1 Right Input+	37	N/C
16	Zone 1 Right Input-	38	N/C
17	Zone 2 Left Input+	39	N/C
18	Zone 2 Left Input-	40	N/C
19	Zone 2 Right Input+	41	N/C
20	Zone 2 Right Input-	A1	AC Power L2/N
21	N/C	A2	AC Power L1
22	N/C		

Alto Aviation 86 Leominster Rd PO Box 399 Sterling, MA 01564
Phone: 978-466-5992 Toll Free 800-814-0123 Fax 978-466-5996

www.altoaviation.com